

PWS

HANDLELESS

RAIL GUIDE

Key Icons

Below are some handy keys to help you navigate around this document.



Our top tips
Nifty top tips from our designers and fitters



Please note
Important bits of information to consider when planning or fitting your kitchen



Refer to page
Look out for the 'see page' icon to aid navigation through this document



Product codes
For quick reference, each page will have a summary of the product codes listed.



Feature products
Stand out products that can create feature within a kitchen design.

CONTENTS

This comprehensive handleless guide is split into two key sections:

Recessed Rail System | Flush Rail System

PWS offer two distinct rail systems that allows you to create a true handleless kitchen. This document illustrates the difference between the two, where they can be used, and how to fit them.

Section 1

Recessed Rail System

Introducing Recessed Rail System		Appliances & Internal Storage	
06	Introducing Recessed Rail System	44	Planning with a Dishwasher Frame
08	Compatible Door Ranges	45	Gollinucci
Recessed Rail Product Offering		46	Undermount Ovens & Microwaves
16	Top Rail & Supporting Accessories	47	Integrated Ovens
17	Mid Rail & Supporting Accessories	48	Washing Machine & Tumble Dryer
18	Vertical Rails & Supporting Accessories	49	Fridges & Freezers
19	Wall Profiles & Supporting Accessories	50	Kescebohmer
Signature Designs		Porter Handleless Accessories	
21	Gloss White & Burnt Ash	54	Porter Handleless Accessories
22	Hartforth Blue & Porcelain	55	External Corner Post(s)
23	Regiment & Dove Grey	56	Intrenal Corner Post(s)
Specification & Installation		57	L - Shaped Base Feature End Panel
Top Rails & Accessories		58	C - Shape Base Feature End Panels
26	Top Rail Installation		
28	Internal & External Corner Joint		
29	End Cap Installation		
29	Mid Joint Installation		
Mid Rails & Accessories			
30	Mid Rail Installation		
32	Internal & External Corner Joint		
33	End Cap Installation		
Appliance & Larder Profiles			
35	Appliance Filler Rail		
36	Vertical Profiles		
38	Wall Profile Installation		
39	Vertical Profile Feature Unit		
Plinths & Accessories			
40	Metallic Plinth & installation		
41	Plinth Corner Connectors		

Section 2

Flush Rail System

Introducing Flush Rail System	
64	Introducing Flush Rail System
66	Compatible Door Ranges
Specification & Installation	
69	Product Range Overview
70	Top Rail Installation
71	Mid Rail Installation
73	Installing Wall Cabinets
74	Vertical Rail Installation
Appliances & Internal Storage	
76	Undermount & Freestanding Ovens
77	Fridges & Freezers
78	Planning with a Dishwasher Frame
79	Gollinucci
Matrices	
82	Kitchen Fascia Matrix for Handleless Rail Sizes
84	Door Combnations for Handleless Kitchens



RECESSED RAIL SYSTEMS

Introducing Recessed Rail Systems

06 - 07

Introducing Recessed Rail Systems

Compatible Door Ranges

08	Porter
09	Hunton
10	Unity
12	Alpina

Key Icons

Below are some handy keys to help you navigate around this document.

TOP TIP



Our top tips
Nifty top tips from our designers and fitters

NOTE



Please note
Important bits of information to consider when planning or fitting your kitchen

SEE PAGE



Refer to page
Look out for the 'see page' icon to aid navigation through this document

CODES



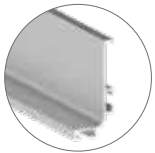
Product codes
For quick reference, each page will have a summary of the product codes listed.

FEATURE PRODUCT



Feature products
Stand out products that can create feature within a kitchen design.

INTRODUCING RECESSED RAIL SYSTEMS



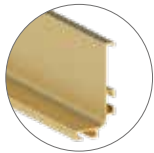
Aluminium
(No code suffix)



White
(MW)



Graphite
(MG)



Brushed Brass
(B)

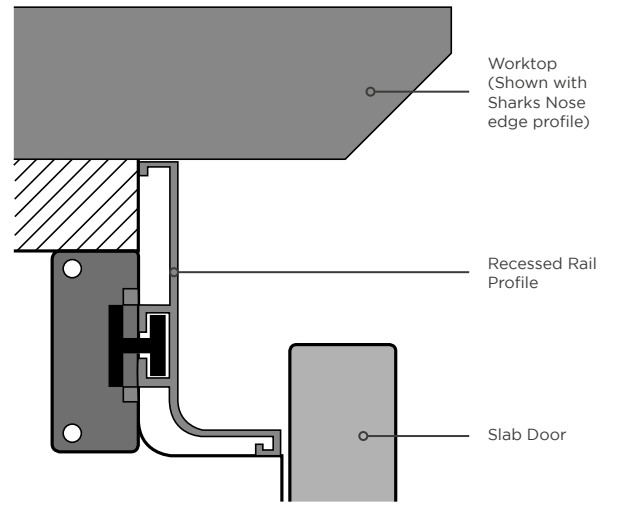


Brushed Copper
(C)

The Recessed Rail Profile is designed to create a hand void behind the door. Cabinets need to be modified for installation of the rail profiles.

Designed for use with our Porter & Hunton slab doors, as well as our UNITY and Alpina made-to-measure ranges.

Available in 5 stocked finishes: Aluminium, Matt White, Matt Graphite, Brushed Brass and Brushed Copper.



PRODUCT INFORMATION

STOCK FINISHES	Aluminium, Matt White, Matt Graphite, Brushed Brass and Brushed Copper.
COMPATIBLE DOOR RANGE(S)	
Porter	Hunton
Unity	Alpina Timber Veneer Collection



Please refer to pages xx-xx of this document for full listings of compatible door ranges.

Porter Appliance Doors and Porter Wall Doors shown in Porcelain. Porter Base Doors shown in Hartforth Blue. With Brushed Copper Recessed Rails and Metallic Plinth.

COMPATIBLE DOOR RANGES



Porter, shown in Dove Grey (Gloss) and Regiment (Matt) with Brushed Brass recessed rails.

PORTER

- Stocked Range
- Handleless Rail Sizes
- Painted Finish
- Paint-to-Order Service
- Bespoke Door Sizes
- Door Drilling Service
- 6 Year Guarantee

A pure slab door for an ultra-modern look, Porter is available in both matt and high gloss finishes in a range of colours.



Additional information on Porter can be found in section 1 of our Directory & Pricelist.

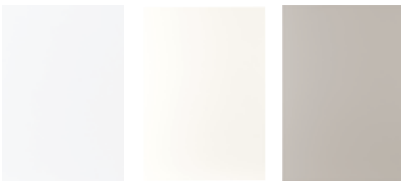
STOCKED FINISHES

Prefix code for door range/colour shown in brackets.

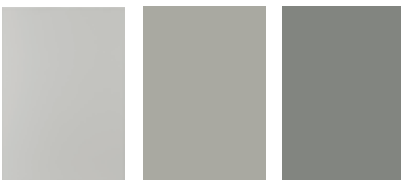


MATT

GLOSS



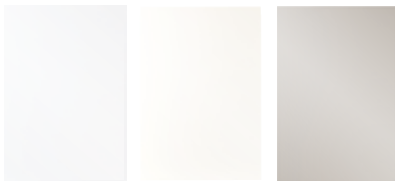
WHITE (PMW) PORCELAIN (PMN) CASHMERE (PMH)



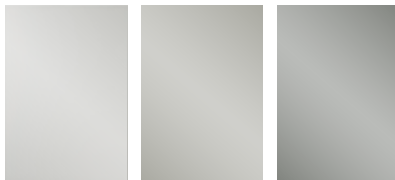
DOVE GREY (PMV) SILVER GREY (PMS) DUST GREY (PMU)



HARTFORTH BLUE (PMB) GRAPHITE (PMG)



WHITE (PW) PORCELAIN (PN) CASHMERE (PH)



DOVE GREY (PMV) SILVER GREY (PS) DUST GREY (PU)



GRAPHITE (PG)

PRODUCT INFORMATION

Shown in Hartforth Blue

DOOR THICKNESS
18mm

FINISH
Laquered (Gloss or Matt)

EDGE DETAIL
Radius edge



REVERSE
Matching Matt melamine

PRODUCT OVERVIEW

DOOR STYLE	Slab (over-painted)
DOOR THICKNESS	18mm
SUBSTRATE	MDF
FINISH	Painted (matt / gloss finishes)
REVERSE	Matching matt melamine reverse
CERTIFICATION	Fira Gold
PRICE BAND	£ £

DOOR FINISH BOARD MATCH

CASHMERE	Egger U702
DOVE GREY	Egger U708
DUST GREY	Egger U732, Kronospan 0171
GRAPHITE	Egger U961
HARTFORTH BLUE	Egger U599, Kronospan 8984BS
PORCELAIN	Egger W1200, Kronospan 101
SILVER GREY	Egger U765
WHITE	Egger W1000



HUNTON

- Stocked Range
- Handleless Rail Sizes
- Painted Finish
- Paint-to-Order Service
- Bespoke Door Sizes
- Door Drilling Service
- 6 Year Guarantee

A modern take on a classic shaker design, this smooth painted, 1 piece shaker can be used with the handleless rail system to create a contemporary design with classic features, using Huntons thin frame design.



Additional information on Porter can be found in section 1 of our Directory & Pricelist.

STOCKED FINISHES

Prefix code for door range/colour shown in brackets.



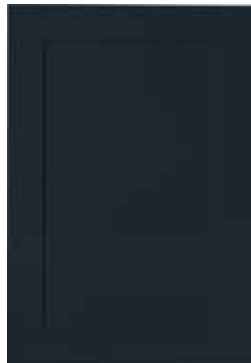
MATT



PORCELAIN (HUP)



DUST GREY (HUU)



HARTFORTH BLUE (HUB)

PRODUCT INFORMATION

Shown in Dust Grey.

DOOR THICKNESS
18mm

DOOR FRAME
75mm

EDGE DETAIL
Radius profile, overpainted



1 piece door construction (routed)

CENTRE PANEL
9mm deep

PRODUCT INFORMATION

DOOR STYLE	Narrow framed shaker
DOOR THICKNESS	18mm
SPECIFICATION	HDF
FINISH	Matt painted (smooth finish)
REVERSE	Matching matt melamine reverse
CERTIFICATION	Fira Gold
PRICE BAND	£ £ £

DOOR FINISH BOARD MATCH

HARTFORTH BLUE	Egger U599, Kronospan 8984BS
PORCELAIN	Egger W1200, Kronospan 101
DUST GREY	Egger U732, Kronospan 0171

COMPATIBLE DOOR RANGES

UNITY



Unity is a made-to-measure collection of edged slab doors, available in an extensive choice of 20 finishes including high gloss, soft-touch super matt, metallics and woodgrain effect with a choice two edge options. Manufactured in the UK, doors are available in any size (Up to 2400mm high x 1200mm wide) and with the additional flexibility of angled doors the UNITY collection is ideally suited to kitchens, bedrooms and bathrooms.



Additional information on Unity can be found in section 1 of our Directory & Pricelist.

STOCKED FINISHES

Prefix code for door range/colour shown in brackets.



GLOSS COLOURS



GLOSS METALLIC FINISHES

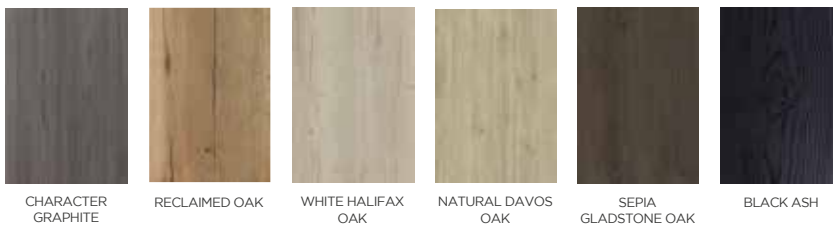


Note:
Metallic colours have a directional finish as indicated by arrows on the protective film. Arrows should all face the same direction when fitting. Drilling must be specified left or right hand with metallic doors.

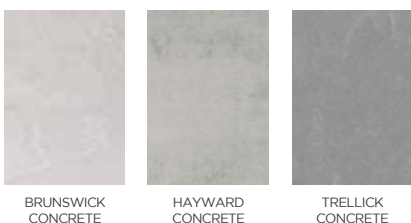
SUPERMATT FINISHES (Matching Edges Only)



WOODGRAIN EFFECT (Matching Edges Only)



NEW CONCRETE FINISHES



PRODUCT INFORMATION

DOOR STYLE	Slab - edged
DOOR THICKNESS	18mm
SUBSTRATE	Gloss/ Matt - MDF Woodgrain/ Concrete - MFC
FINISH	Gloss Colours & Metallic: Acrylic front face with matching matt PVC reverse. Supermatt: Matt PVC front face with matching matt reverse. Woodgrain effect/ Feature melamine foil (textured finish) Melamine face chipboard with matching reverse.
REVERSE	Matching matt melamine colour/ foil
CERTIFICATION	Fira Gold
PRICE BAND	£

Co-ordinating board options:

Please see page 1.12 for a list of suggested co-ordinated MFC board options for UNITY finishes.

EDGE OPTIONS

Melamine face chipboard with matching reverse.



Matching AirTech Edge



Two-Tone 3D glass effect

NOTES:

- Two-tone 3D glass effect edging is available in gloss finishes only.
- End panels are edged all 4 sides as standard and are supplied in matching edge only.
- Pelmet & plinth are edged on one long side only with a matching edge.



Manufactured in the UK



High gloss or fingerprint free supermatt



11 day lead time



Fira Gold Certification



Unity, shown in Graphite & Light Grey with Graphite recessed rails.

COMPATIBLE DOOR RANGES

ALPINA



Alpina is a made-to-measure timber veneer collection, available in 5 striking woodgrains in a Matt finish. These premium veneer doors will add style to any modern kitchen design and works well when mixed with other frontals.



Additional information on Unity can be found in section 1 of our Directory & Pricelist.

STOCKED FINISHES

Prefix code for door range/colour shown in brackets.

MATT FINISHES



NATURAL OAK
(Horizontal grain)
(LNO)

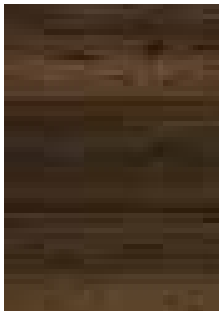


DEEP OAK
(Horizontal grain)
(LDO)

MATT FINISHES (heavily embossed texture)



SMOKED LARCH
(Horizontal grain)
(LSL)



MID OAK
(Horizontal grain)
(LMO)



BURNT ASH
(Horizontal grain)
(LBA)

PRODUCT INFORMATION



PRODUCT OVERVIEW

DOOR STYLE	Slab - edged
DOOR THICKNESS	19mm
SUBSTRATE	Chipboard
FINISH	Real Timber Veneer
REVERSE	Matching Veneer (flat finish)
PRICE BAND	£ £ £ £ £

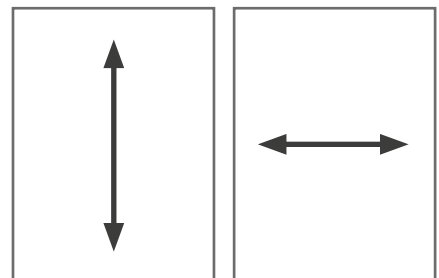
BESPOKE DOOR SIZE PARAMETERS

- ✓ CHOOSE HEIGHT
- ✓ CHOOSE WIDTH

	MIN	MAX
HEIGHT	100mm	2540mm
WIDTH	100mm	897mm

NOTES ON GRAIN DIRECTION

Grain direction varies for different woodgrains



Please refer to door images for grain direction by door finish. All accessories match grain direction of door, with the exception of plinth and cornice which are horizontal grain direction as standard.



Bespoke Door Sizes

26 day lead time



Made-to-measure

Porter, shown in White (Matt)
with Aluminium recessed rails.



Alpina, shown in Burnt Ash
with Graphite recessed rails.



RECESSED RAILS
PRODUCT OFFERING

Recessed Rails Product Offering

16	Top Rails Profiles
17	Mid Rail Profiles
18	Vertical Profiles
19	Wall Unit Profiles

Signature Designs

21	Porter Gloss White & Burnt Ash
22	Porter Hartforth Blue & Porcelain
23	Porter Dove Grey & Regiment

Key Icons

Below are some handy keys to help you navigate around this document.

TOP TIP



Our top tips
Nifty top tips from our designers and fitters.

NOTE



Please note
Important bits of information to consider when planning or fitting your kitchen.

SEE PAGE



Refer to page
Look out for the 'see page' icon to aid navigation through this document.

CODES



Product codes
For quick reference, each page will have a summary of the product codes listed.

FEATURE PRODUCT

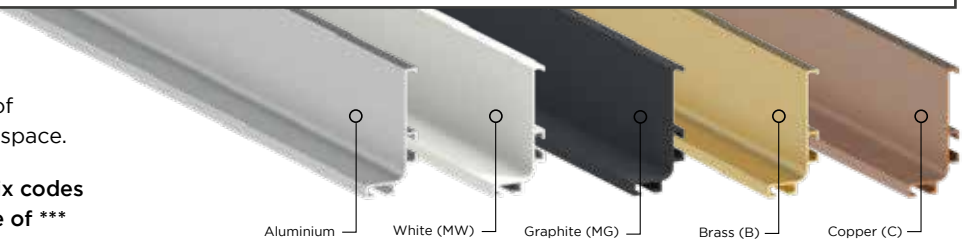


Feature products
Stand out products that can create feature within a kitchen design.

RAILS & ACCESSORIES

TOP profiles for BASE units

Top rail profiles cross functionality with style, the handleless aesthetic creates a modern linear, continuation of metallic accents throughout a kitchen space.



When ordering, use the pre-fix codes for the relevant finish in place of ***

Aluminium White (MW) Graphite (MG) Brass (B) Copper (C)



Top profile for doors
4100x56.5x27.2mm



Top profile, external corner joint, 90 degree
56.5x27.5x27.5mm

Code	Finish
GPT4100	Aluminium
GPT4100***	MW MG B C

Code	Finish
GPTEX90	Aluminium
GPTEX90***	MW MG B C



Top profile, internal corner joint 90 degree
56.5x28.3x28.3mm



End caps for top profiles, pair, 1 left & 1 right hand
56.5x27.5mm

Code	Finish
GPTIN90	Aluminium
GPTIN90***	MW MG B C

Code	Finish
GPTEND	Aluminium
GPTEND***	MW MG B C



Mid joint section for top profile
56.5x8x28.5mm



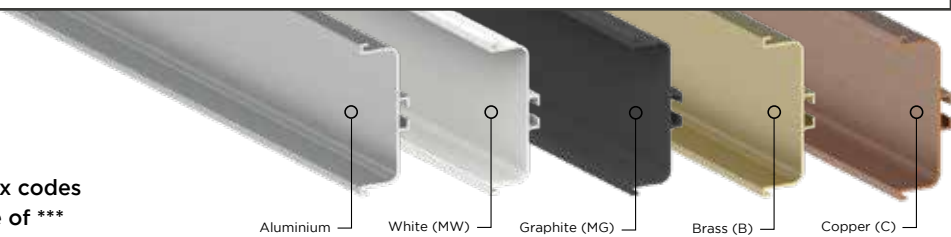
Securing brackets for top and mid rails, pack of 2, minimum order quantity of 25

Code	Finish
GPTJOINT	Aluminium
GPTJOINT***	MW MG B C

Code	Finish
GPFIXING	Plastic Finish

MID profiles for BASE units

Mid rail profiles work hand-in-hand with drawer packs whilst adding another layer of linearity, resulting in a unique contemporary kitchen style.



When ordering, use the pre-fix codes for the relevant finish in place of ***

Aluminium White (MW) Graphite (MG) Brass (B) Copper (C)



Mid profile for drawers

4100x73x26mm

NEW 1200x73x26mm



End caps for mid profiles, pair, 1 left & 1 right hand

73x27.5mm

Code

Finish

GPM4100

Aluminium

GPM4100**

MW MG B C

NEW

GPM1200

Aluminium

Code

Finish

GPMEND

Aluminium

GPMEND***

MW MG B C



Mid profile, internal corner joint 90 degree

73x28.3x28.3mm



Mid profile, external corner joint 90 degree

73x27.5x27.5mm

Code

Finish

GPMIN90

Aluminium

GPMIN90***

MW MG B C

Code

Finish

GPMEX90

Aluminium

GPMEX90***

MW MG B C



Drawer line dishwasher frame, stainless steel finish, for use with mid rail profile

645x590x28mm



Securing brackets for top and mid rails, pack of 2, minimum order quantity of 25

Code

Finish

GPDDWF

N/A

Code

Finish

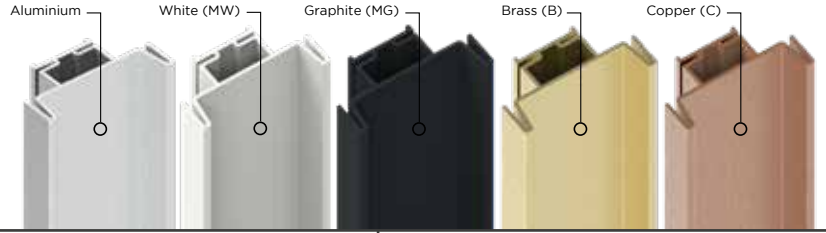
GPFIXING

Plastic Finish

RAILS & ACCESSORIES

VERTICAL profiles for TALL units

Vertical rails work with larger units and appliance banks to add another dimension of metallic accents to a kitchen.



When ordering, use the pre-fix codes for the relevant finish in place of ***



Vertical profile (lateral)

4200x53.3x41mm,
trim to size

NEW 1970x53.3x41mm,
trim to size



Vertical profile (Intermediate)

4200x71.6x41mm,
trim to size

NEW 1970x71.6x41mm,
trim to size



Plug/filler for a
appliance fittings

580x16x42mm

Code	Finish	Code	Finish	Code	Finish
GPV4200END	Aluminium	GPV4200MID	Aluminium	GPVAPPFILL	Aluminium
GPV4200END***	MW MG B C	GPV4200MID***	MW MG B C	GPVAPPFILL***	MW MG B C
NEW GPV1970END	Aluminium	NEW GPV1970MID	Aluminium		



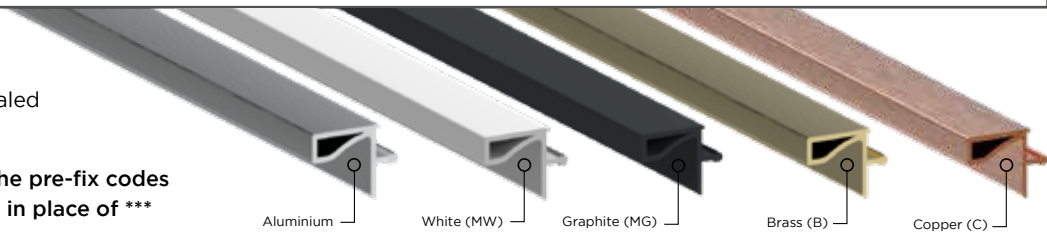
Porter, shown in Porcelain (Gloss) and Hartforth Blue (Matt) with Brushed Copper recessed rails.

PROFILES for WALL units

To continue the true handleless aesthetic, use wall unit profiles to create a concealed purchase behind the frontal.



When ordering, use the pre-fix codes for the relevant finish in place of ***



Profile for wall cabinets
3900x19.6x20mm



Aluminium wall curved profile for small curved door
300x300mm



Wall curved profile for internal curved wall unit
600x600mm

Code	Finish	Code	Finish	Code	Finish
GPW3900	Aluminium	GPCWS300SD	Aluminium	GPCWSIC600	Aluminium
GPW3900***	MW MG B C				

Aluminium wall profile shown behind feature glazed (Black) wall units.



A modern kitchen with dark, handleless cabinets and a built-in coffee machine. The kitchen features a dark, minimalist design with a built-in coffee machine and a countertop. The background shows a dark, handleless cabinet system with a built-in coffee machine and a countertop. The overall aesthetic is clean and contemporary.

Signature Designs

The following pages demonstrate how kitchens can be planned using the handleless rail system, following current trends and evolving kitchen spaces. The comprehensive product offering allows for an abundance of design styles that can be tailored to a multitude of kitchen spaces.




This section talks you through our kitchen designs, highlighting areas where handleless rails and accessories have been used.



Handleless rails and accessories are highlighted in Blue.



Supporting Porter accessories compatible with the handleless rails are highlighted in Green.

<p>A</p> <p>Top rail profile for base doors</p> <p>4100x56.5x27.2mm</p> <p>GPT4100MG</p> 	<p>B</p> <p>Top rail internal corner joint, 90 degree</p> <p>56.5x28.3x28.3mm</p> <p>GPTIN90MG</p> 	<p>C</p> <p>Top rail external corner joint, 90 degree</p> <p>56.5x27.5x27.5mm</p> <p>GPTEX90MG</p> 
<p>D</p> <p>Mid profile for drawers,</p> <p>4100x73x26mm</p> <p>GPM4100MG</p> 	<p>E</p> <p>Mid rail internal corner joint, 90 degree</p> <p>73x28.3x28.3mm</p> <p>GPMIN90MG</p> 	<p>F</p> <p>Mid rail external corner joint, 90 degree</p> <p>73x27.5x27.5mm</p> <p>GPMEX90MG</p> 
<p>G</p> <p>End caps for top profiles, pair, 1 left & 1 right hand</p> <p>56.5x27.5mm</p> <p>GPTENDMG</p> 	<p>H</p> <p>End caps for Mid profiles, pair, 1 left & 1 right hand</p> <p>73x27.5mm</p> <p>GPMENDMG</p> 	<p>I</p> <p>End caps for Mid profiles, pair, 1 left & 1 right hand</p> <p>19.6x3000x27mm</p> <p>GPMENDMG</p> 
<p>J</p> <p>C-Shaped base feature end panel</p> <p>325x1200x18mm</p> <p>xxxCEP325X1200</p>  	<p>K</p> <p>Half height internal corner post</p> <p>325x70x70mm</p> <p>xxCP30H</p>  	<p>L</p> <p>L-Shaped half height feature end panel</p> <p>325x1200x18mm</p> <p>xxxLEP325X650</p>  






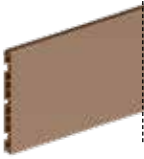






SIGNATURE DESIGNS



Porter, shown in Porcelain (Gloss) and Hartforth Blue (Matt) with Brushed Copper recessed rails.

● Handleless rails and accessories

● Porter handleless accessories








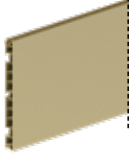











<p>A Top rail profile for base doors 4100x56.5x27.2mm GPT4100C</p> 		
<p>B Top rail external corner joint, 90 degree 56.5x27.5x27.5mm GPTX90C</p> 		
<p>C Top rail internal corner joint, 90 degree 56.5x28.3x28.3mm GPTIN90C</p> 		
<p>D Vertical profile (Intermediate) 4200x71.6x41mm, trim to size GPV4200MIDC</p> 	<p>E Metallic plinth (Supplied with plinth clips) 3000x147x11mm CP30</p> 	<p>F End caps for top profiles, pair, 1 left & 1 right hand 56.5x27.5mm GPTENDC</p> 
<p>G Plug/filler for appliance fittings 580x16x42mm GPVAPPFILLC</p> 	<p>H C-Shaped base feature end panel 685x960x18mm xxxCEP685X960</p>  	<p>I Base internal corner post 685x70x70mm xxxCP30B</p>  



Porter, shown in Dove Grey (Gloss) and Regiment (Matt) with Brushed Brass recessed rails.

● Handleless rails and accessories

● Porter handleless accessories

<p>A Top rail profile for base doors 4100x56.5x27.2mm GPT4100B</p> 	<p>B Top rail external corner joint, 90 degree 56.5x27.5x27.5mm GPTEx90B</p> 	<p>C Top rail internal corner joint, 90 degree 56.5x28.3x28.3mm GPTIN90B</p> 
<p>D Mid profile for drawers 4100x73x26mm GPM4100B</p> 	<p>E Mid rail external corner joint, 90 degree 73x27.5x27.5mm GPMEx90B</p> 	<p>F Mid rail internal corner joint, 90 degree 73x28.3x28.3mm GPMIN90B</p> 
<p>G Vertical profile (Intermediate) 4200x71.6x41mm, trim to size GPV4200MIDB</p> 	<p>H Metallic plinth (Supplied with plinth clips) 3000x147x11mm BP30</p> 	<p>I End caps for top profiles, pair, 1 left & 1 right hand 56.5x27.5mm GPTENDB</p> 
<p>J End caps for Mid profiles, pair, 1 left & 1 right hand 73x27.5mm GPMENDB</p> 	<p>K Plug/filler for appliance fittings 580x16x42mm GPVAPPFILLB</p> 	<p>L C-Shaped base feature end panel 325x1200x18mm xxxCEP325X1200</p>  
<p>M L-Shaped base feature end panel 325x650x18mm xxxLEP325X650</p>  	<p>N Half height internal corner post 325x70x70mm xxxCP30H</p>  	<p>O Drawer line dishwasher frame 590x645mm GPDDWF</p>  

3

SPECIFICATION
&
INSTALLATION

Specification & Installation

Top Rails & Accessories

26	Top Rail
28	Corner Joints
29	End Caps
29	Mid Joint

Mid Rails & Accessories

30	Mid Rail
32	Corner Joints
33	End Caps

Appliance/ Larder Profiles

35	Appliance Filler Rail
36	Vertical profile (Intermediate)
37	Vertical Profile (Lateral)

Wall Unit Profiles

38	Profile For Wall Cabinets
39	Vertical Profile Feature Unit

Plinths & Corner Connectors

40	Metallic Plinth
41	Metallic Plinth Corner Connectors

Key Icons

Below are some handy keys to help you navigate around this document.

TOP TIP



Our top tips
Nifty top tips from our designers and fitters

NOTE



Please note
Important bits of information to consider when planning or fitting your kitchen

SEE PAGE



Refer to page
Look out for the 'see page' icon to aid navigation through this document

CODES



Product codes
For quick reference, each page will have a summary of the product codes listed.

FEATURE PRODUCT



Feature products
Stand out products that can create feature within a kitchen design.

TOP RAILS & ACCESSORIES



Porter, shown in Porcelain (Gloss) and Hartforth Blue (Matt) with Brushed Copper recessed rails.

BASE UNITS TOP RAIL

For use on full height doors and drawer pack applications. Available in straight lengths of 4.1 metres, the rail can be cut to size using a circular chop saw, according to the design requirements.



Code	Description
GPT4100	Aluminium top rail profile for base doors
GPT4100***	Top rail profile for base doors
GPFIXING	Securing brackets for top and mid rails



Aluminium
(No prefix)



(MW)



(MG)



(B)

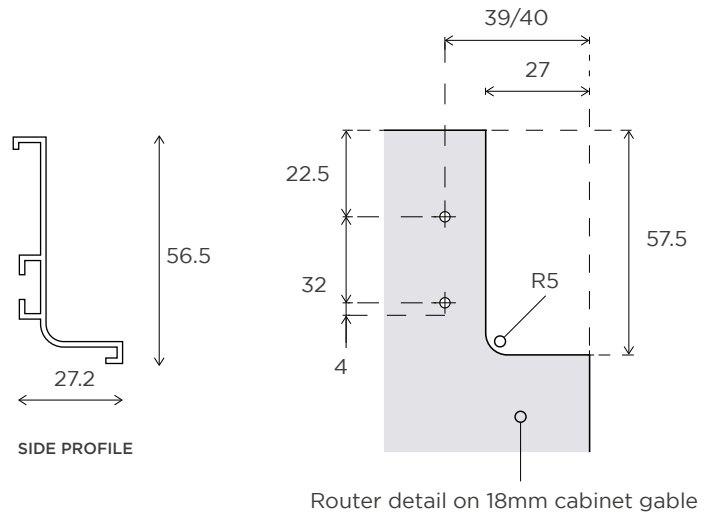


(C)

ROUTERING DETAIL

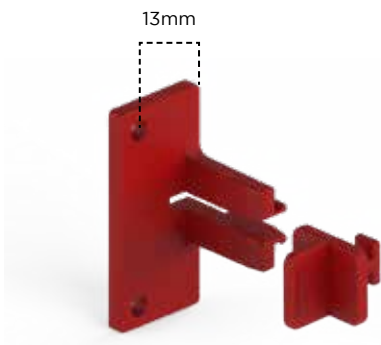


To accommodate the rail, the cabinet requires a routed detail as per technical illustration (Right)

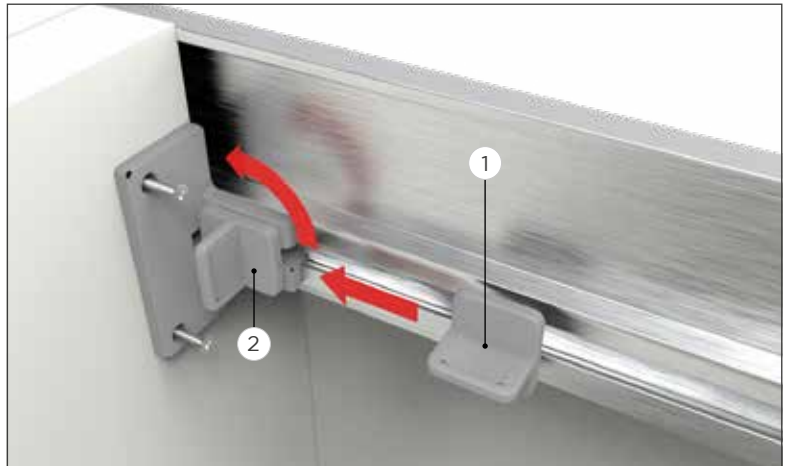


INSTALLATION

Securing brackets (GPFIXING) fit the rail profiles to the cabinet. These need to be ordered separately (set of 2, minimum order quantity of 25).

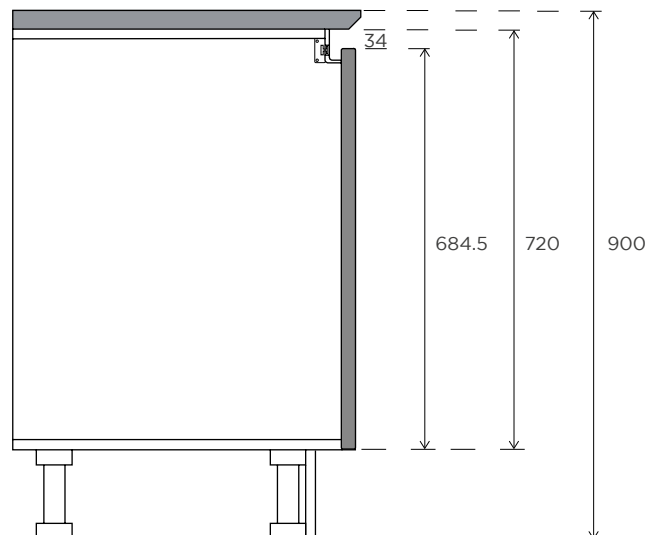
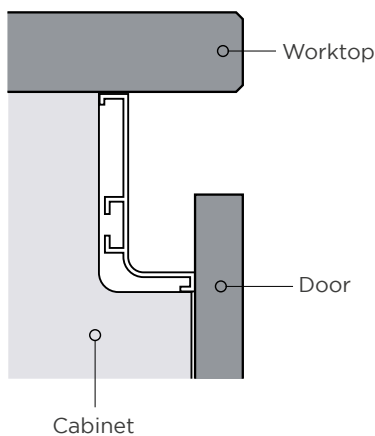


NOTE
Securing bracket should sit flush against the routed edge of the cabinet that has been created for the handleless rail. This should leave the brackets screw holes 13mm from the cabinet edge.



- ① Slide clip along rail
- ② Rotate and lock into position on bracket

CABINETY



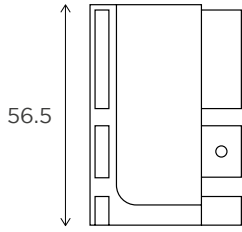
TOP RAILS & ACCESSORIES

Top Rail, Internal Corner Joint, 90°

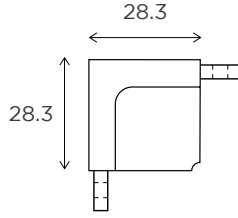
Used when applying internal corner post and corner door solutions, in order to continue the rail around a corner.



GPTIN90
(Aluminium)



SIDE PROFILE



TOP PROFILE



GPTIN90***

When ordering, use the pre-fix codes for the relevant finish in place of ***



(MW)



(MG)



(B)



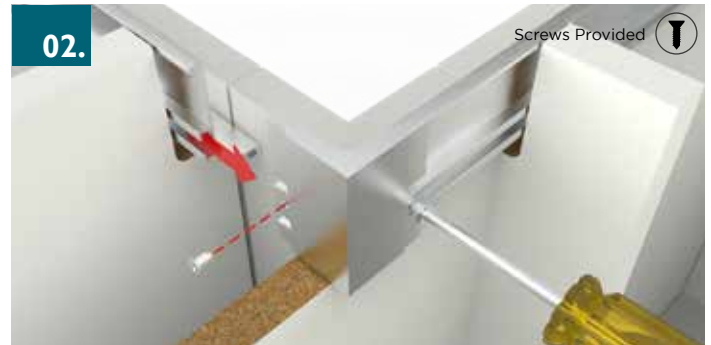
(C)

01.



Simply slide rails onto the corner connectors fixing points.

02.



Screws Provided

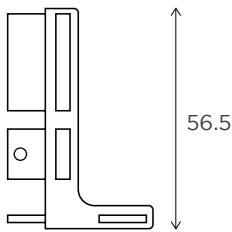
Once connected, secure the rails to the corner connector by screwing into designated fixing points.

Top Rail, External Corner Joint, 90°

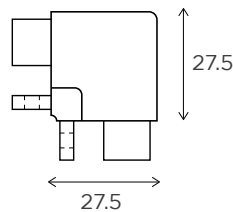
Used when applying internal corner post and corner door solutions, in order to continue the rail around a corner.



GPTEX90
(Aluminium)



SIDE PROFILE



TOP PROFILE



GPTEX90***

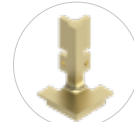
When ordering, use the pre-fix codes for the relevant finish in place of ***



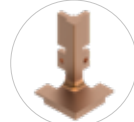
(MW)



(MG)

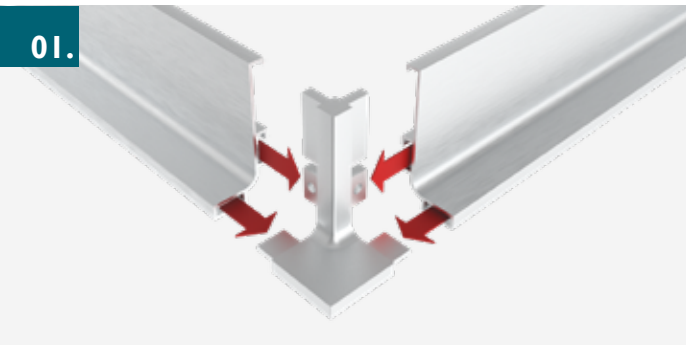


(B)



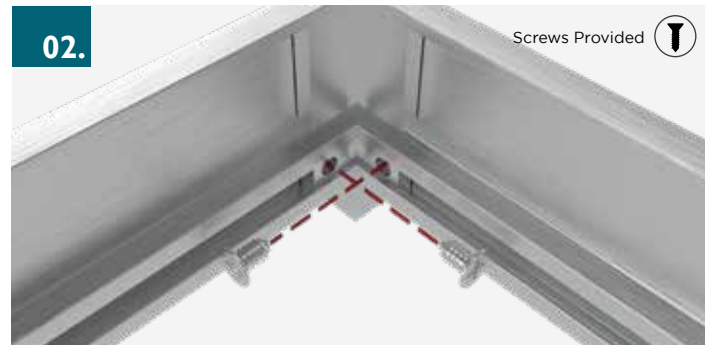
(C)

01.



Simply slide rails onto the corner connectors fixing points.

02.

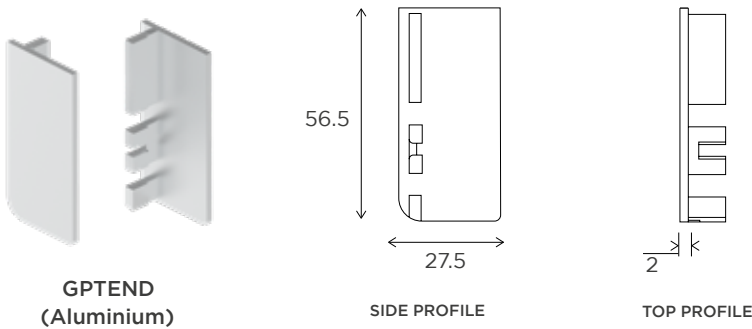


Screws Provided

Once connected, secure the rails to the corner connector by screwing into designated fixing points.

Top Rail, End Caps (L/R Pair)

Used to terminate a run. Recommended for use with undermount ovens to conceal cut edge of profile.



GPTEND
(Aluminium)

SIDE PROFILE

TOP PROFILE



GPTEND***

When ordering, use the pre-fix codes for the relevant finish in place of ***



(MW)



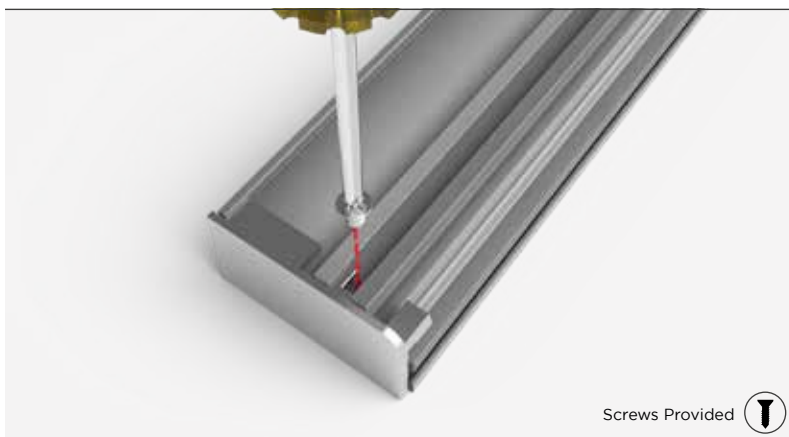
(MG)



(B)



(C)



Screws Provided

To secure the end cap to the rail, simply slot the cap onto the rail and screw the two pieces together using the fixings supplied.



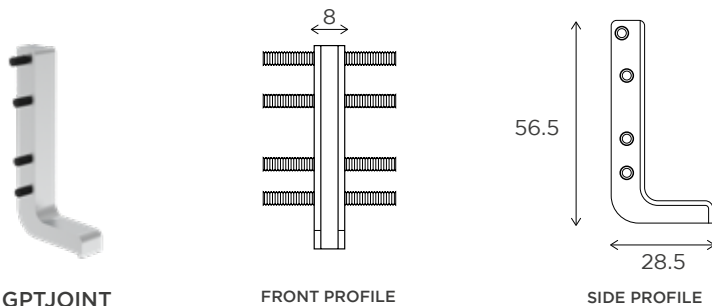
These products are lacquered in a flat finish and may vary slightly from the anodized profiles.



When using end caps, a 2mm spacing must be taken into account (when cutting down the trim)

Mid Joint Section for Top Profile

A mid joint section is available to hide joints in certain applications where two top rail profiles meet. (e.g. when a straight rail profile meets a curved rail section)



GPTJOINT
(Aluminium)

FRONT PROFILE

SIDE PROFILE



GPTJOINT***

When ordering, use the pre-fix codes for the relevant finish in place of ***



(MW)



(MG)

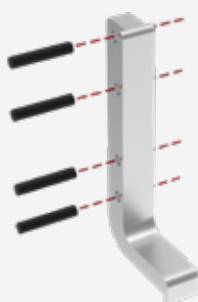


(B)



(B)

01.



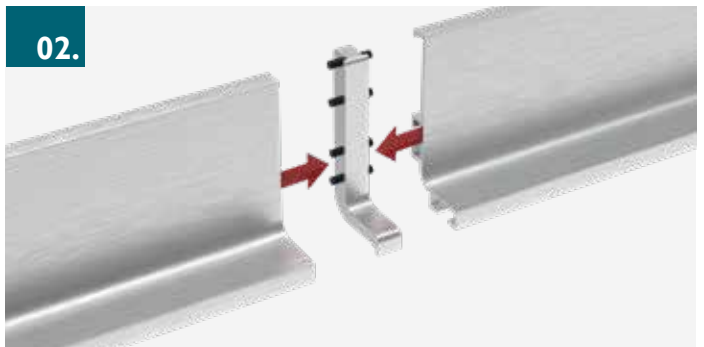
Screws Provided



When using mid joints, a 5mm spacing must be taken into account when cutting down the rail profiles that are being joined at either side.

Rotate the provided screws into the mid joint section so that they are of even lengths on both sides.

02.



Once the threads have been inserted, align and slide the joint into the profiles on the rear of the rail.

MID RAILS & ACCESSORIES

Porter, shown in White (Gloss) with Graphite recessed rails. Featuring Alpina Burnt Ash wall units.



BASE UNITS MID RAIL

For use on drawer pack applications. Available in straight lengths of 4.1 meters, the rail can be cut to size using a circular chop saw, according to the design requirements. Manufactured out of anodized aluminium.



Code	Description
GPM4100	Aluminium mid rail profile for drawer packs
GPM4100***	Mid rail profile for drawer packs
GPM1200	Aluminium mid rail profile for drawer packs
GPFIXING	Securing brackets for top and mid rails



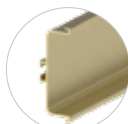
Aluminium
(No prefix)



(MW)



(MG)



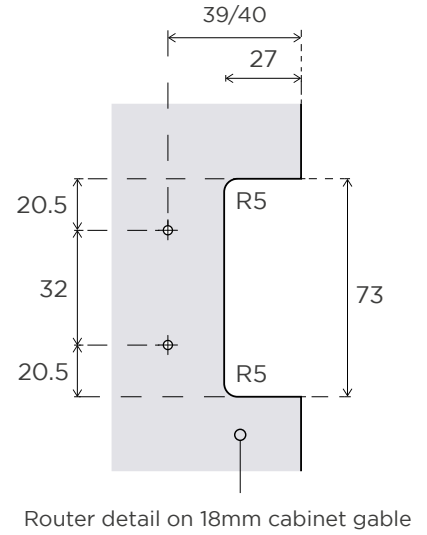
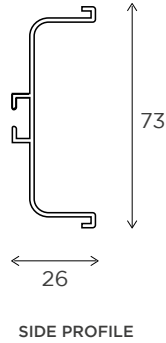
(B)



(C)

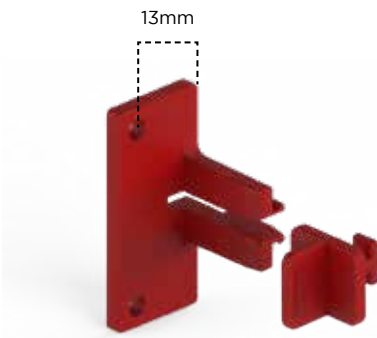
ROUTERING DETAIL

To accommodate the rail, the cabinet requires a routed detail as per technical illustration (Right)

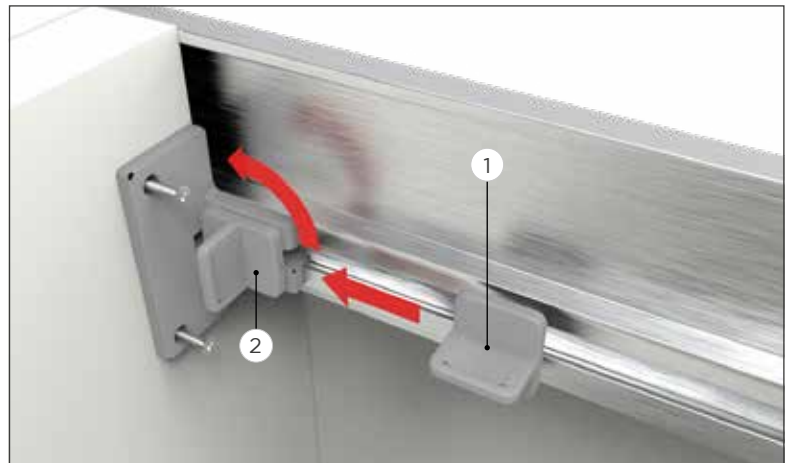


INSTALLATION

Securing brackets (GPFIXING) fit the rail profiles to the cabinet. These need to be ordered separately (set of 2, minimum order quantity of 25).

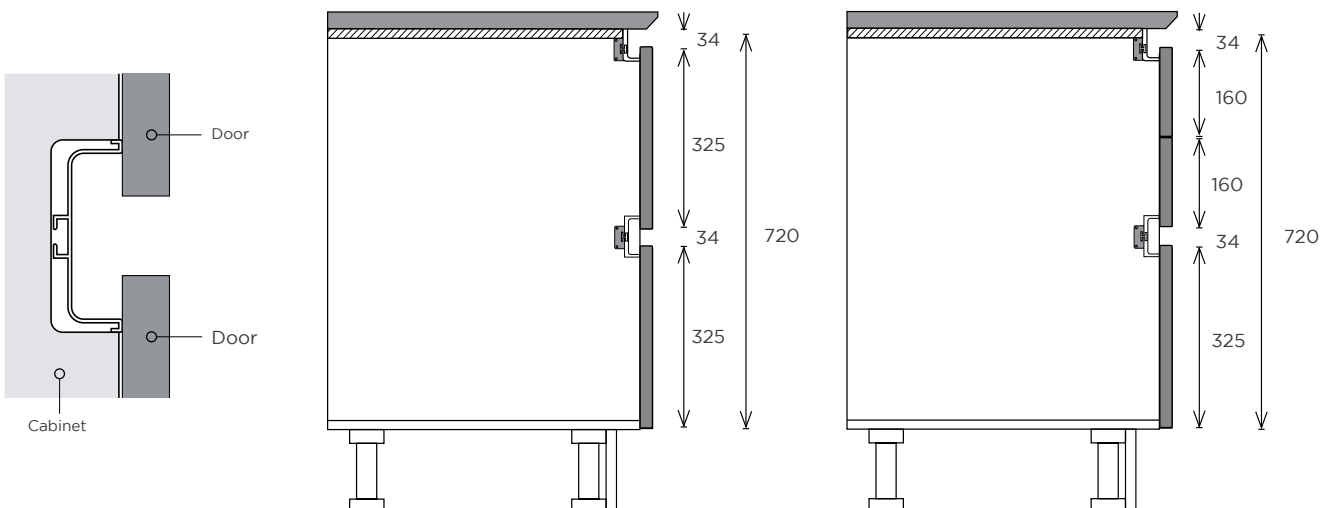


NOTE: Securing bracket should sit flush against the routed edge of the cabinet that has been created for the handleless rail. This should leave the brackets screw holes 13mm from the cabinet edge.



- 1 Slide clip along rail
- 2 Rotate and lock into position on bracket

CABINETRY



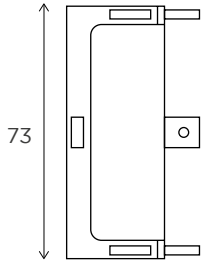
MID RAILS & ACCESSORIES

Mid Rail, Internal Corner Joint, 90°

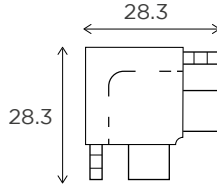
Used when applying half height internal corner post, in order to continue the rail around a corner.



GPMIN90
(Aluminium)



SIDE PROFILE



TOP PROFILE

CODES



GPMIN90***

When ordering, use the pre-fix codes for the relevant finish in place of ***



(MW)



(MG)

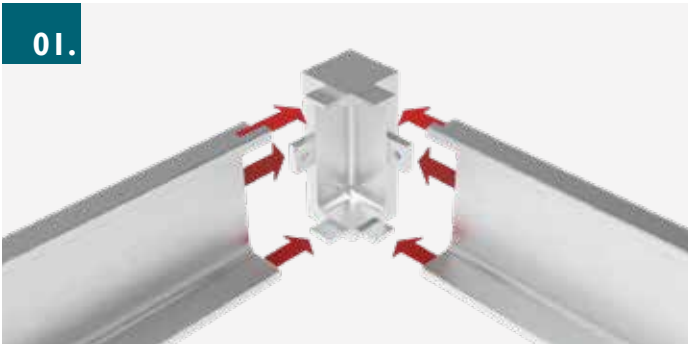


(B)



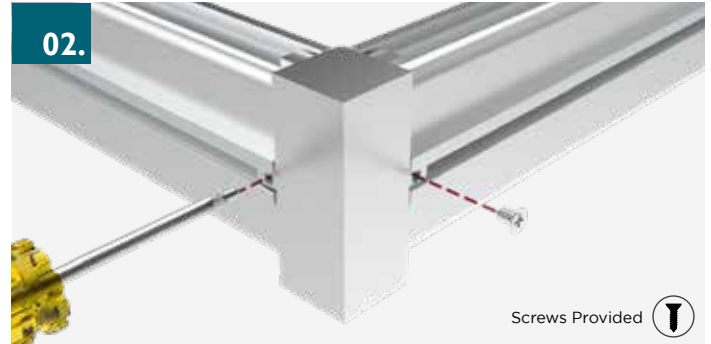
(C)

01.



Simply slide rails onto the corner connectors fixing points.

02.



Screws Provided

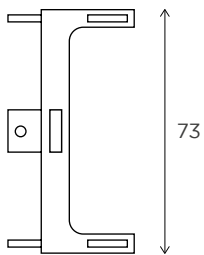
Once connected, secure the rails to the corner connector by screwing into designated fixing points.

Mid Rail, External Corner Joint, 90°

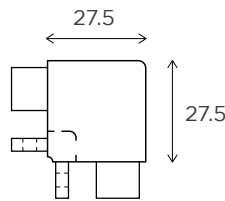
Used when applying half height external corner posts or dedicated half height L or C shaped panels, in order to continue the rail around a corner.



GPMEX90
(Aluminium)



SIDE PROFILE



TOP PROFILE

CODES



GPMEX90***

When ordering, use the pre-fix codes for the relevant finish in place of ***



(MW)



(MG)

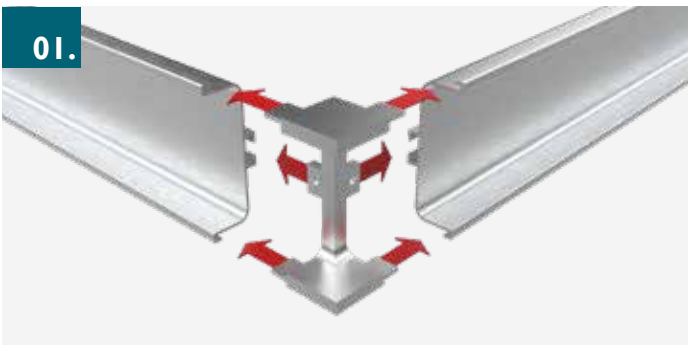


(B)



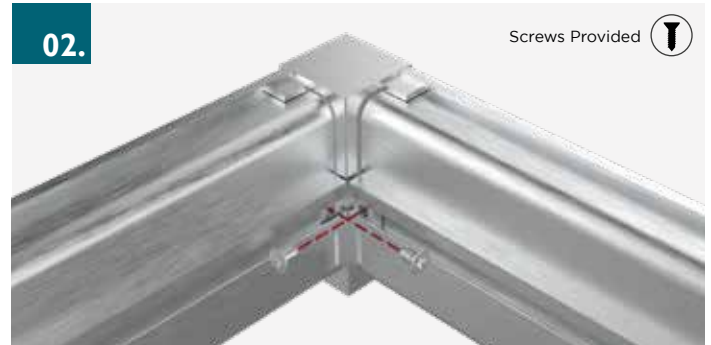
(C)

01.



Simply slide rails onto the corner connectors fixing points.

02.



Screws Provided

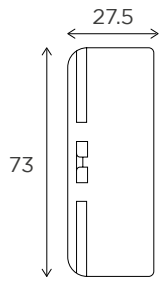
Once connected, secure the rails to the corner connector by screwing into designated fixing points.

Mid Rail, End Caps (L/R Pair)

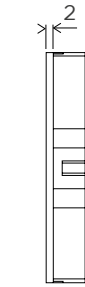
Used to terminate a run. Recommended for use with undermount ovens and dishwasher frame (GPDDWF) to conceal cut edge of profile.



GPMEND
(Aluminium)



BACK PROFILE



SIDE PROFILE



GPMEND***

When ordering, use the pre-fix codes for the relevant finish in place of ***



(MW)



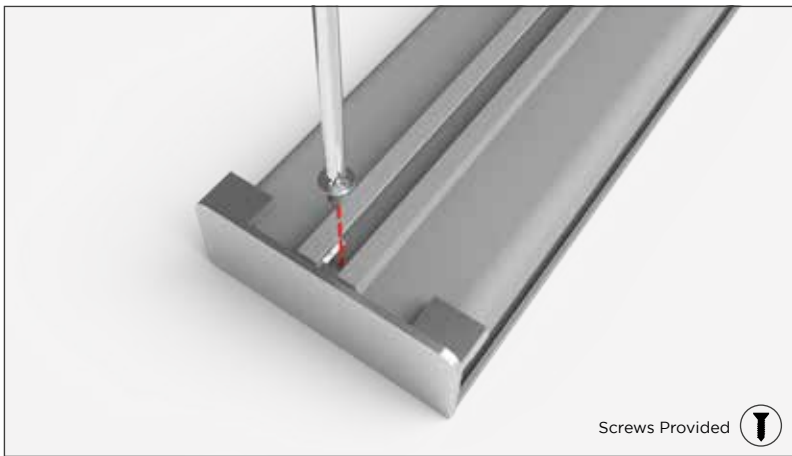
(MG)



(B)



(C)



Screws Provided

To secure the end cap to the rail, simply slot the cap onto the rail and screw the two pieces together using the fixings supplied.



NOTE These products are lacquered in a flat finish and may vary slightly from the anodized profiles.



TOP TIP When using end caps, a 2mm spacing must be taken into account (when cutting down the trim)



Porter, shown in White (Matt) with Aluminium recessed rails.

APPLIANCE & LARDER PROFILES



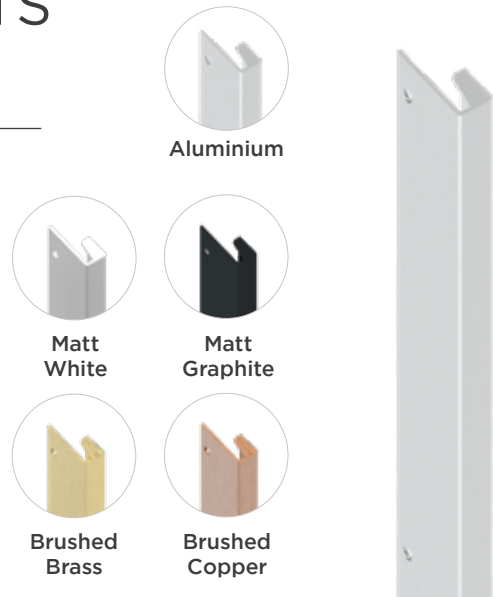
Porter, shown in Dove Grey (Gloss) and Regiment (Matt) with Brushed Brass recessed rails.

APPLIANCE/ LARDER UNITS

APPLIANCE FILLER RAIL

Used to conceal the void behind an appliance when used in an appliance housing using vertical rail profiles. The trim can be cut down to suit different sized appliances and applications. Designed to fit seamlessly inside both Vertical Profiles GPV4200MID & GPV4200END.

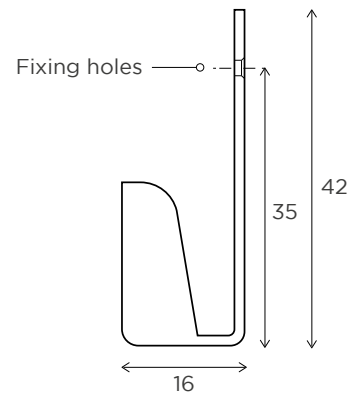
Code	Description
GPVAPPFILL	Aluminium Plug/ Filler for appliance fittings, 580mm
GPVAPPFILLMW	Matt White Plug/ Filler for appliance fittings, 580mm
GPVAPPFILLMG	Matt Graphite Plug/ Filler for appliance fittings, 580mm
GPVAPPFILLC	Brushed Copper Plug/ Filler for appliance fittings, 580mm
GPVAPPFILLB	Brushed Brass Plug/ Filler for appliance fittings, 580mm



INSTALLATION



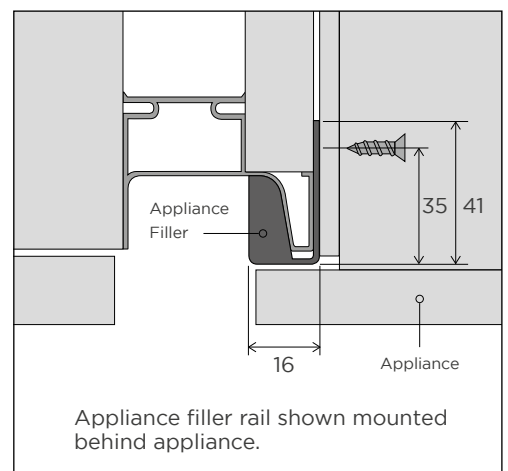
Screw-fix into cabinet gable using 3No. 4x16mm screws before installation of the appliance.



It is possible to drill through the trim if the appliance requires a screw-fixing into the cabinet.



Designed to match both vertical profiles for a seamless look and screw-fixed into the cabinet.



Appliance filler rail shown mounted behind appliance.



Appliance plug shown set down from the top of the appliance by 10mm. When stacking appliances, we recommend leaving a 10mm gap to the top and bottom of both appliances.



When altering the height of the oven filler for appliances that are above or below 580mm, take care when cutting the filler as this can create sharp edges which will need treating.

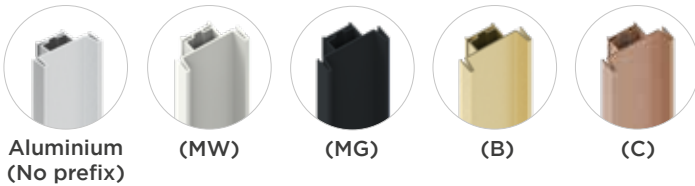
APPLIANCE & LARDER PROFILES

APPLIANCES/ LARDER UNITS

VERTICAL PROFILE (INTERMEDIATE)

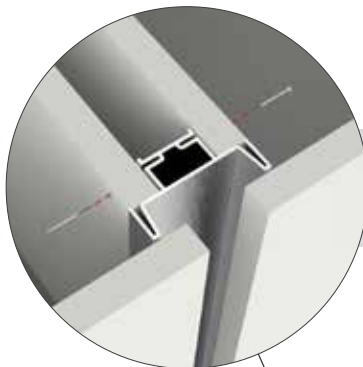
Used in the scenario where two opening doors meet. Available in lengths of 4.2 metres, and can be cut-to-size using a circular chop saw. Manufactured out of anodized aluminium.

Code	Description
GPV4200MID	Aluminium vertical profile (Intermediate)
GPV4200MID***	Vertical profile in various finishes (Intermediate)
GPV1970MID	Aluminium vertical profile (Intermediate)

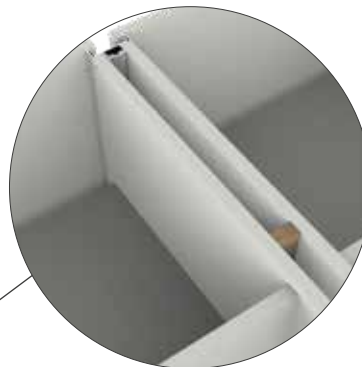


INSTALLATION

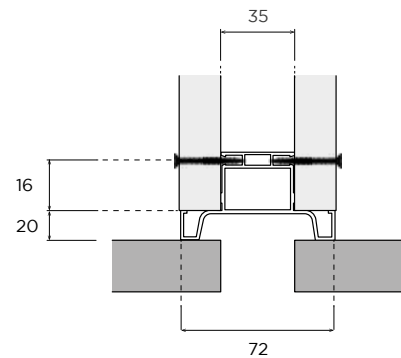
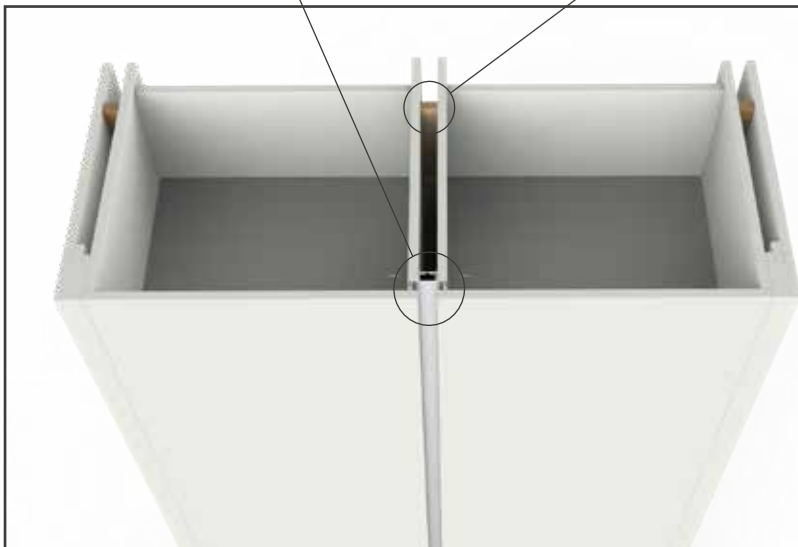
The front of the gables on the cabinets need to be set back by 20mm for the trim to overlap behind the doors. Due to the width and placement of the profile, a 35mm spacer is required at the back between the two cabinets to maintain space created by the profile.



The profile is securely fixed to the cabinets with 4 x 30mm countersunk screws.



35mm spacer required between cabinets (not supplied)

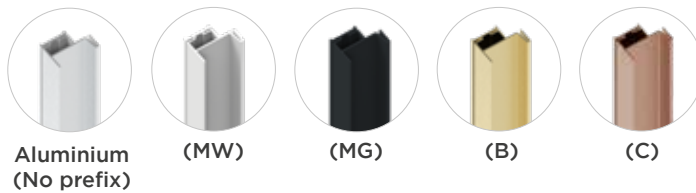


To conceal fixing, hide screw holes behind hinge plates.

APPLIANCES/ LARDER UNITS VERTICAL PROFILE (LATERAL)

Used in the scenario where you have an opening door to one side and don't require access to a handle on the opposite side. It can also be used to keep symmetry at the end of a run where an end panel or accessory is fitted. Available in lengths of 4.2 metres, and can be cut-to-size using a circular chop saw. Manufactured out of anodized aluminium.

Code	Description
GPV4200END	Aluminium vertical profile (Intermediate)
GPV4200END***	Vertical profile in various finishes (Intermediate)
GPV1970END	Aluminium vertical profile (Intermediate)



INSTALLATION

The front of the gables on the cabinets need to be set back by 20mm for the trim to overlap behind the doors. Due to the width and placement of the profile, a 35mm spacer is required at the back between two cabinets and a 66mm spacer between cabinet and end panel (18mm)/feature post (50mm).



35mm spacer required between cabinets (not supplied)

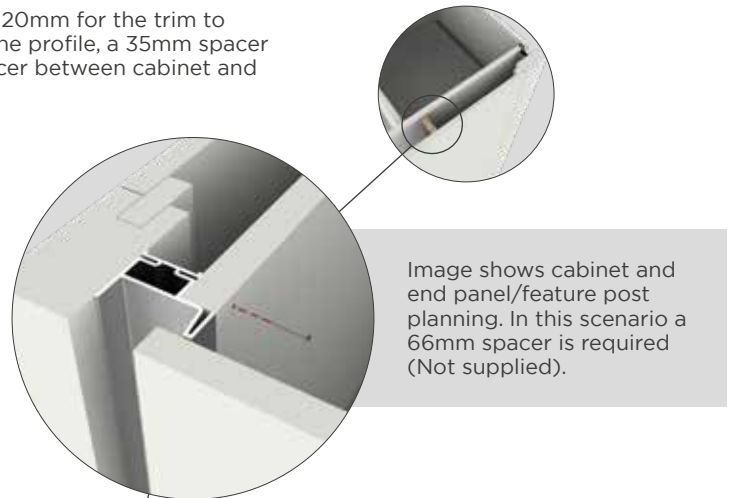
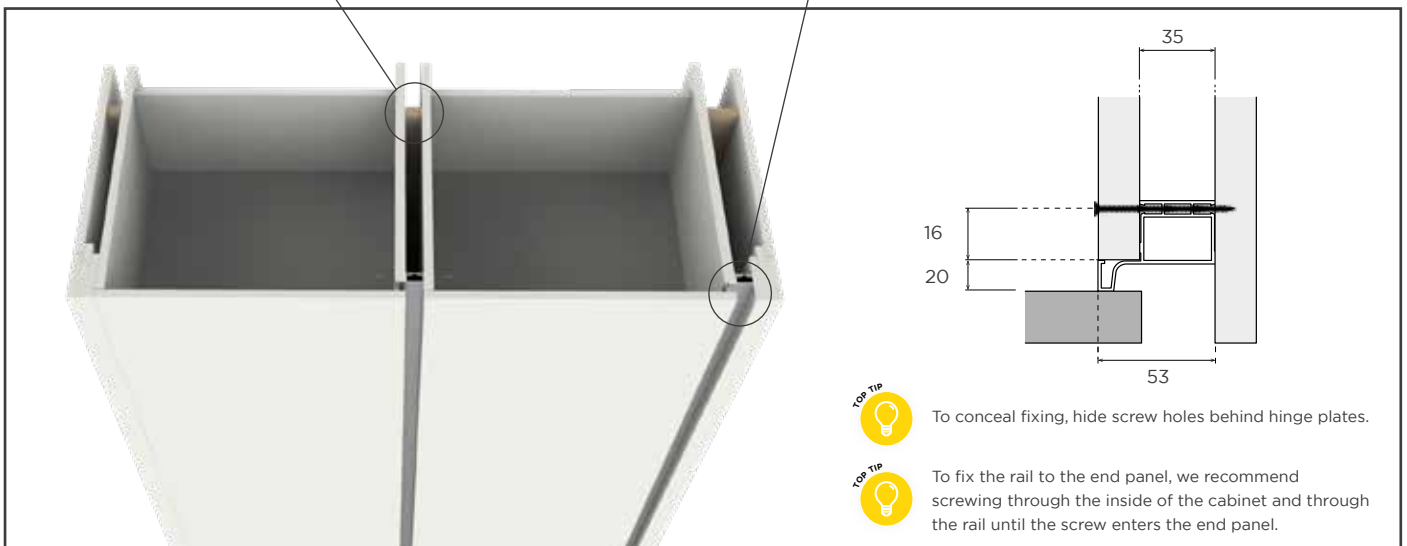


Image shows cabinet and end panel/feature post planning. In this scenario a 66mm spacer is required (Not supplied).



To conceal fixing, hide screw holes behind hinge plates.



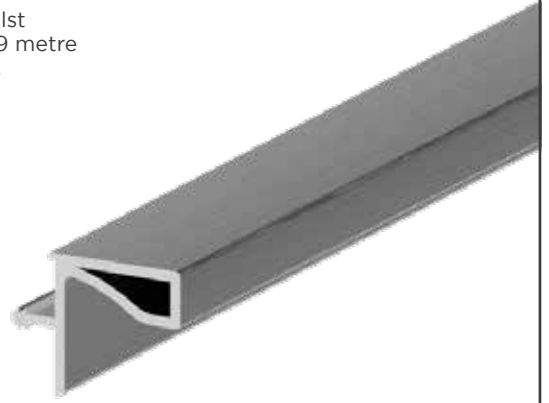
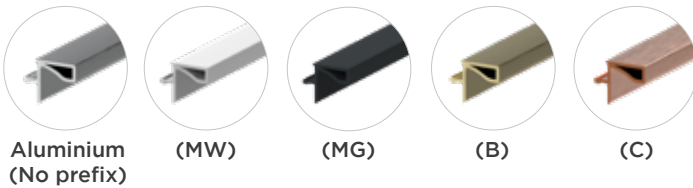
To fix the rail to the end panel, we recommend screwing through the inside of the cabinet and through the rail until the screw enters the end panel.

PROFILES FOR WALL UNITS

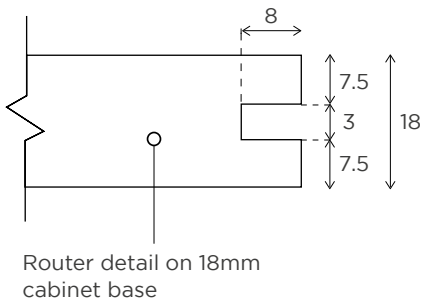
WALL UNITS PROFILE FOR WALL CABINETS

Rail profile for wall units create extra purchase at the bottom of a frontal whilst maintaining a true handleless aesthetic. Rail profiles for wall units come in 3.9 metre lengths. It can be cut-to-size using a circular chop saw to fit between gables.

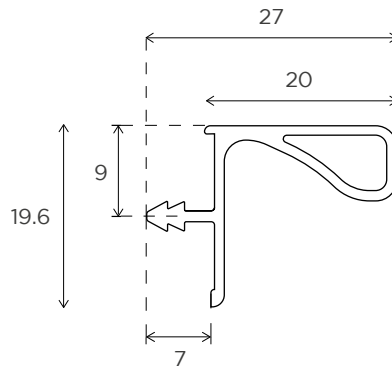
Code	Description
GPW3900	Aluminium profile for wall cabinets
GPW3900***	Profile for wall cabinets in various finishes



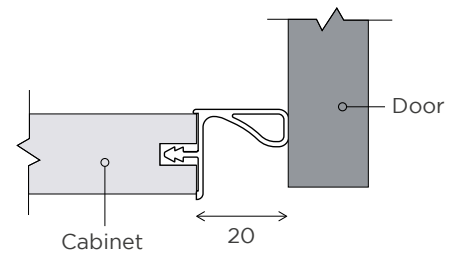
Routing cabinet detail



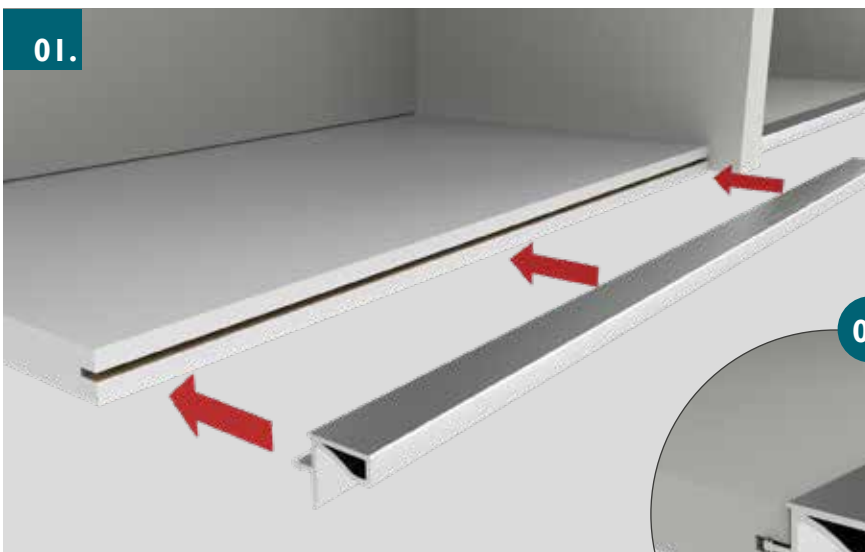
Wall rail profile



Fitted rail detail



01.



INSTALLATION

- 1 A groove (3.2mm high, 8mm deep) must then be routed into the base panel using a slotting cutter.
- 2 The rail profile then slots into the routed groove (clear silicone adhesive should be used to bind the rail with the panel).



The base panel of the wall unit needs to be set back 20.8mm to accommodate the rail profile within the overall depth of the cabinet.



Trend C143X1/4 TC 3.2mm (Recommended slotting cutter)



WALL UNITS

VERTICAL PROFILE FEATURE UNIT



Porter, shown in Porcelain (Gloss) and Hartforth Blue (Matt) with Brushed Copper recessed rails.



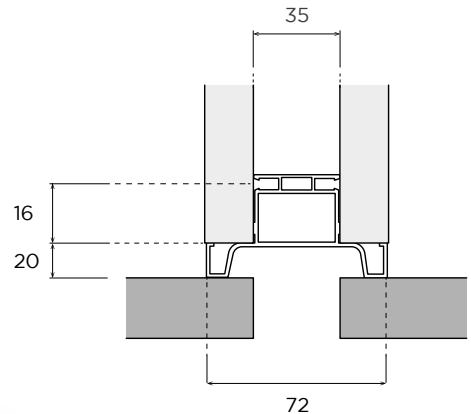
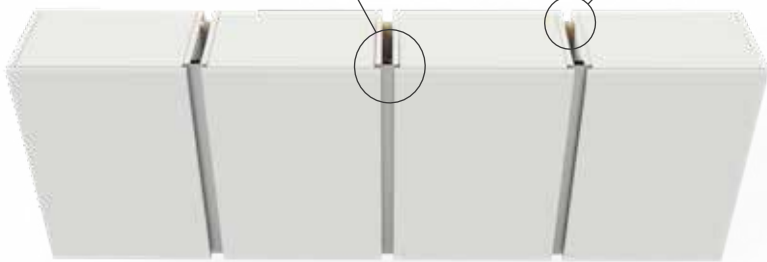
Make use of your intermediate rail cut-offs by utilising them in a handleless feature wall unit. (Shown above)



The profile is securely fixed to the cabinets with 4 x 30mm countersunk screws.



35mm spacer required between cabinets (not supplied)



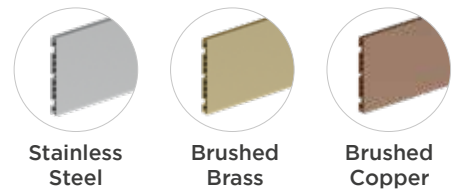
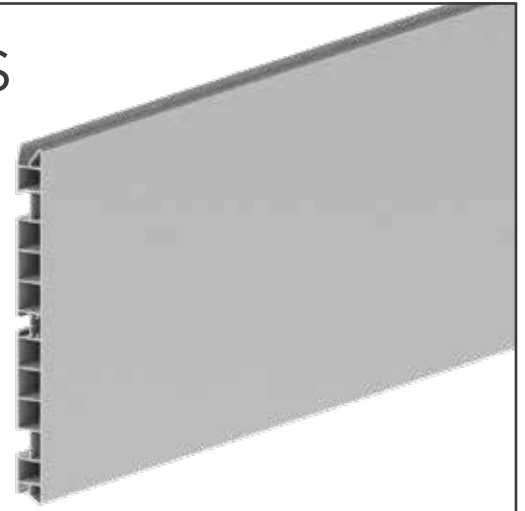
To conceal fixing, hide screw holes behind hinge plates.

PLINTHS & CORNER CONNECTORS

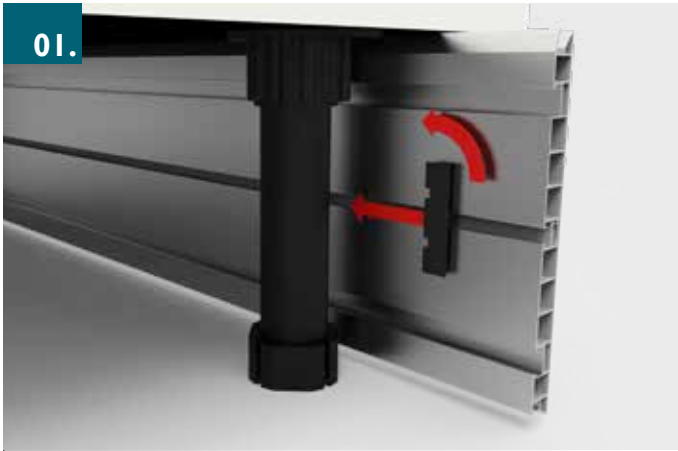
SUPPORTING ACCESSORIES METALLIC PLINTHS

Supporting plinth available in corresponding finishes to complete the look. Available in lengths of 3 metres and can be cut-to-size using a circular chop saw.

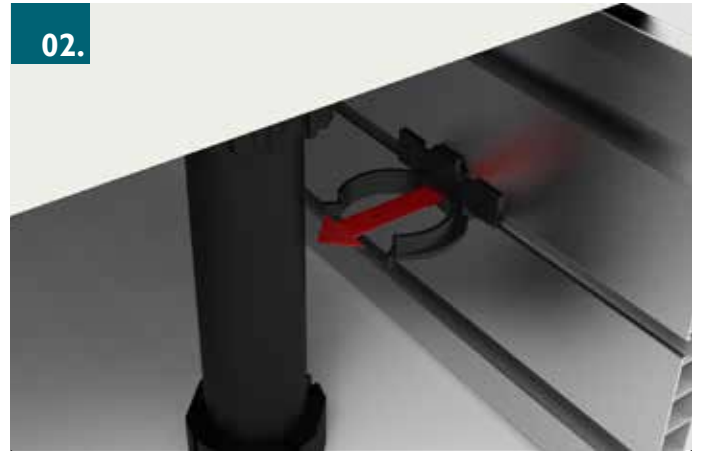
Code	Description
SSP30	Stainless Steel metallic plinth
BP30	Brushed Brass metallic plinth
CP30	Brushed Copper metallic plinth
SSCPS560SDL	Stainless Steel metallic curved plinth section, left hand
SSCPS560SDR	Stainless Steel metallic curved plinth section, right hand
SSICPCS900	Stainless Steel internal curved plinth



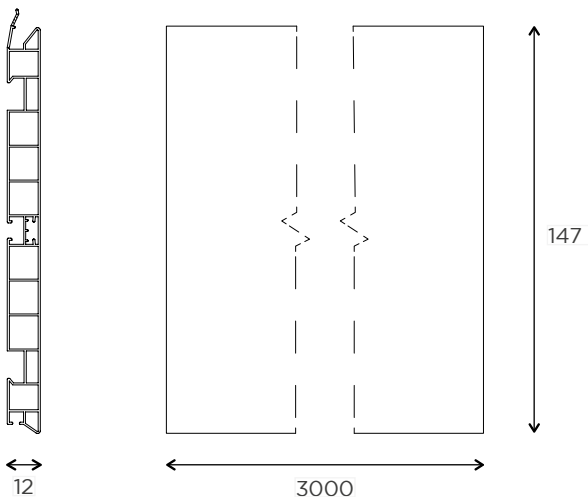
INSTALLATION



Slide part A onto part B. Once plinth clips are installed, attach plinth onto cabinet legs.



Part B slides on the track at the back of the plinth. Once positioned rotated to lock in place.

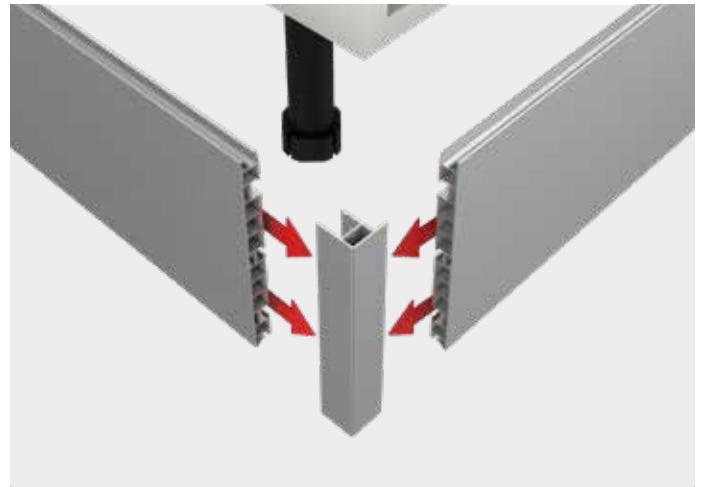
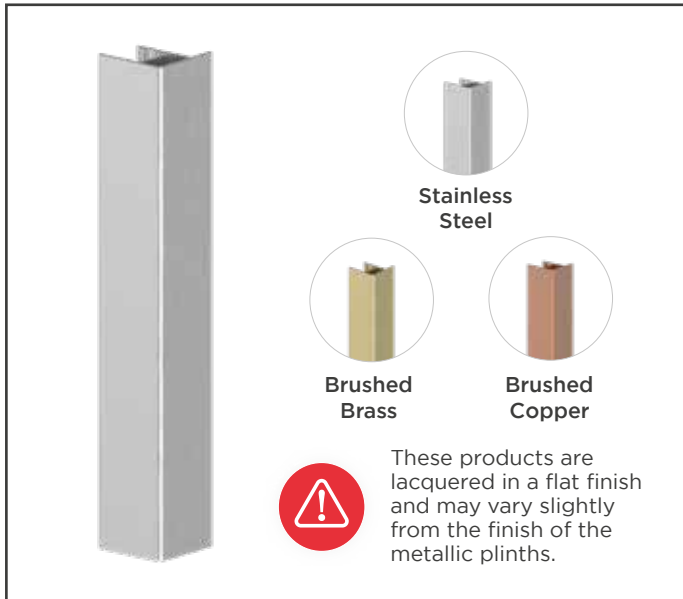


End cap for standard plinth ● SSPEPLG



PLINTH CORNER CONNECTORS

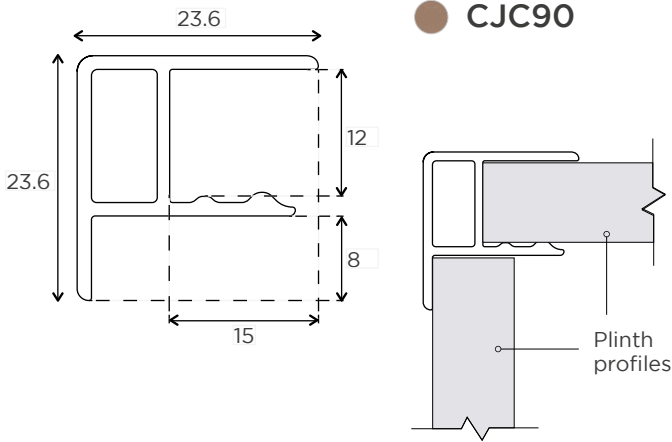
Used when connecting plinth at a specific angle for a simple and neat installation.



2 x plinth sections slot into the plinth corner connector at a 90 degree angle. Screwless installation. Push to fit together.

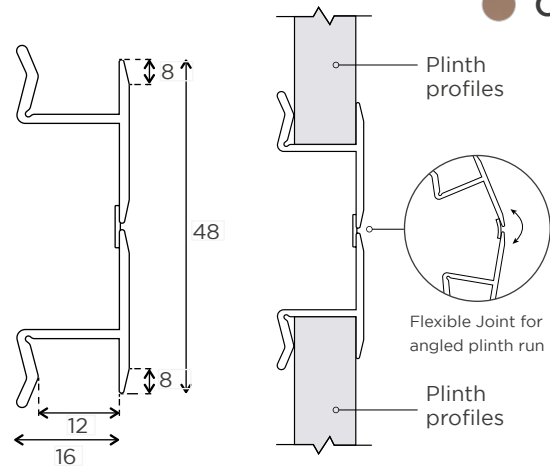
90 Degree corner joint

- SSJC90
- BJC90
- CJC90



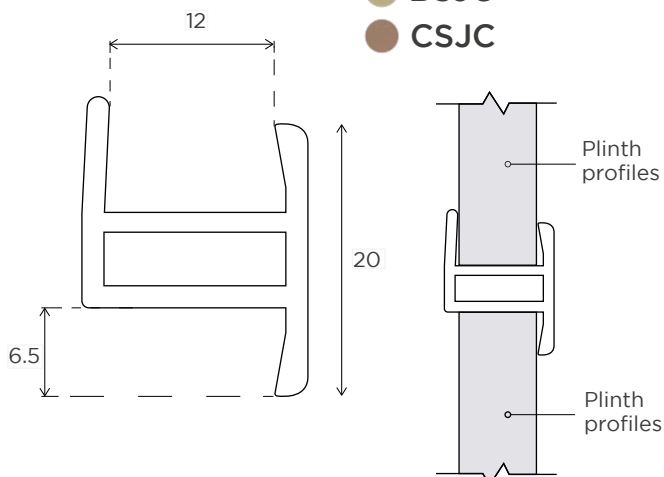
Multi-corner joint

- SSMC
- BMC
- CMC



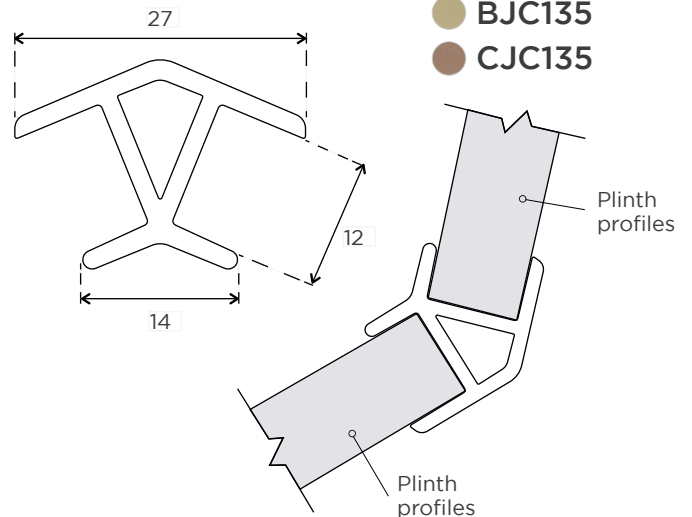
Straight plinth joint

- SSSJC
- BSJC
- CSJC



135 degree corner joint

- SSJC135
- BJC135
- CJC135



4

WORKING WITH APPLIANCES
& INTERNAL STORAGE

Working with Appliances & Internal Storage

44	Planning With A Dishwasher Frame
45	Gollinucci
46	Undermount Ovens & Microwaves
47	Integrated Ovens
48	Washing Machine & Tumble Dryer
49	Fridges & Freezers
50	Kesseböhmer

Key Icons

Below are some handy keys to help you navigate around this document.

TOP TIP



Our top tips
Nifty top tips from our designers and fitters

NOTE



Please note
Important bits of information to consider when planning or fitting your kitchen

SEE PAGE



Refer to page
Look out for the 'see page' icon to aid navigation through this document

CODES



Product codes
For quick reference, each page will have a summary of the product codes listed.

FEATURE PRODUCT



Feature products
Stand out products that can create feature within a kitchen design.

WORKING WITH APPLIANCES

Planning with a Dishwasher Frame



The Dishwasher Frame is designed for use with dishwashers on handleless kitchen designs where the continuation of the drawer pack is required across the dishwasher.

The frame is machined to accept the mid profile, for both recessed and flush rails, which is not supplied and should be ordered with the rest of the kitchen.



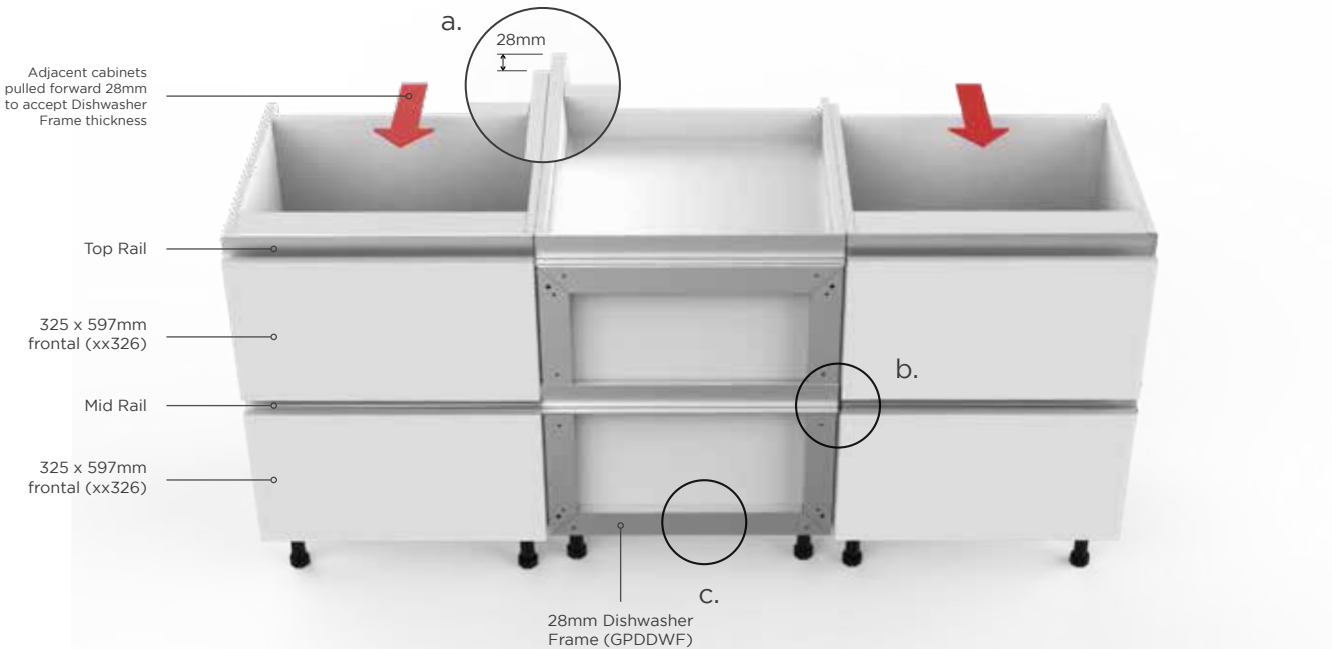
Dishwasher frame is **28mm thick**

Code	Description
GPDDWF	Drawer line dishwasher frame, stainless steel finish, for use with mid rail profile

HOW DOES THIS AFFECT PLANNING & DESIGN?



The Dishwasher Frame is 28mm thick. It is therefore required to pull all adjacent cabinets forward by 28mm to align frontals and rails. The Dishwasher Frame accommodates for 2 x 325mm drawer frontals. The top drawer frontal will overhang the top of the dishwasher frame to allow for purchase with the above handleless rail.



To accommodate the thickness of the dishwasher frame, adjacent cabinets will need to be pulled forward by 28mm to align frontals and rails.

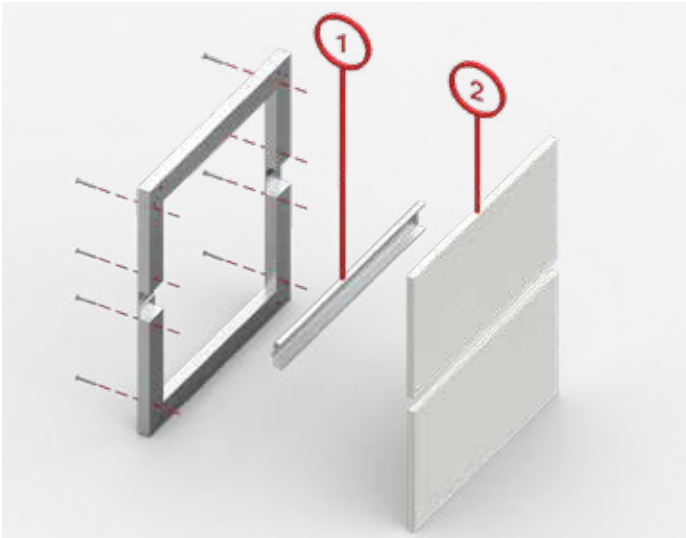


In order to accommodate the swing of the frame, the plinth below the dishwasher requires to be notched.



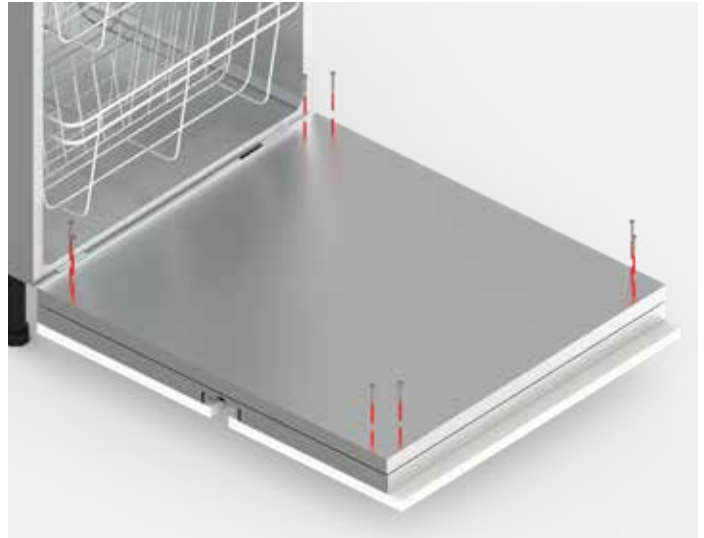
On recessed rail applications, it is recommended that the mid rail end caps are used to conceal the profile edge, resulting in a quality installation.

INSTALLATION OF DISHWASHER FRAME



01.

Start by installing the mid rail to the Dishwasher Frame. The Mid Rail sits inside the machined void. Next, attach the frontals by screwing through the rear of the frame using the pre-drilled fixing holes.



02.

Fix Dishwasher Frame (with frontals and mid rail attached) to the Dishwasher door. Use the pre-drilled fixing holes on the dishwasher door to locate fixing points.

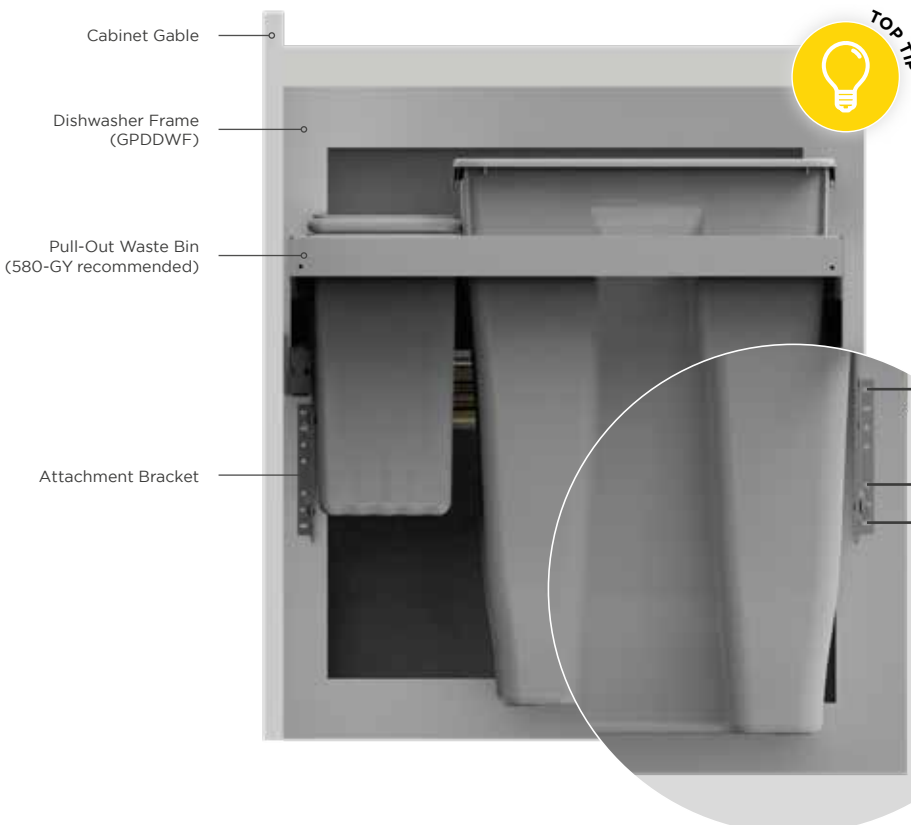
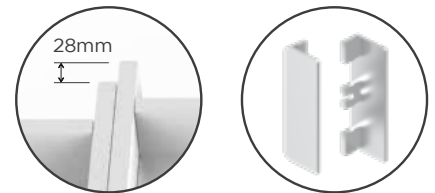
INSTALLATION OF GOLLINUCCI PULL-OUT WASTE BIN

DID YOU KNOW?

To maintain a strong, linear look, the Dishwasher Frame (GPDDWF) can also be used with internal pull-out waste bins. We recommend using 580-GY Gollinucci Bins. The bins all come with fitting instructions. These should be referred to when constructing the product prior to installation onto the Dishwasher Frame system.

Remember to pull forward adjacent cabinets by 28mm to accommodate the Dishwasher Frame thickness, and make use of Mid Rail End Caps for a high quality installation.

Gollinucci
ENGINEERED FOR EVERY DAY



- 1 Screw attachment bracket onto the Dishwasher Frame using 3 x fixing points and adjust as required.
- 2 Using L-Shaped brackets, fix top frame of the Pull-Out Bin to Dishwasher Frame.

Please refer to fitting instructions provided with bin for a detailed installation guide.

112

32

191

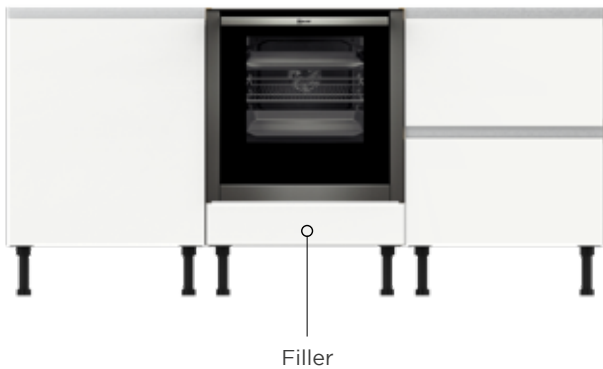
WORKING WITH APPLIANCES

UNDERMOUNT OVENS/ MICROWAVES

Integrated ovens and microwaves can be utilised to make the most of undercounter space, however, some details will need to be taken into consideration when planning around the handles rail system.

Undermount Oven **SCENARIO 1**

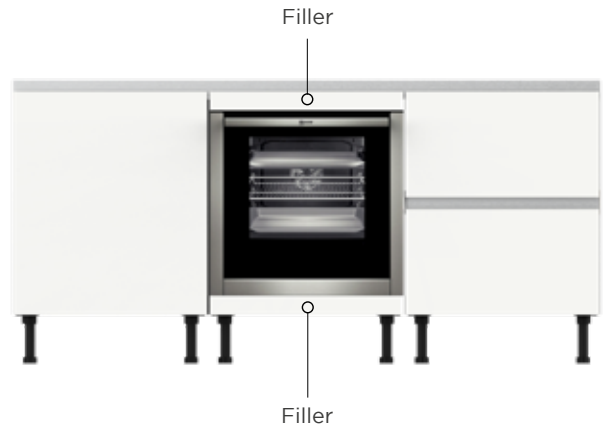
Scenario 1 shows the rails terminated on each side of the appliance with top rail end caps (GPTEND) and mid rail end caps (GPMEND) attached. A filler is fixed below the oven to fill the left over void.



For more information on end caps, please refer to page xx for top rail applications & page xx for mid rail applications.

Undermount Oven **SCENARIO 2**

To continue the top rail profile across a run of units, with a undermount oven, a small filler is required at the top and bottom of the appliance.

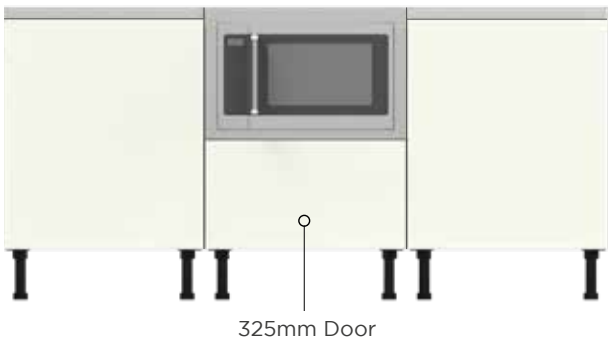


Use touch up kit to hide cut edge on fillers.



Undermount Microwave **SCENARIO 1**

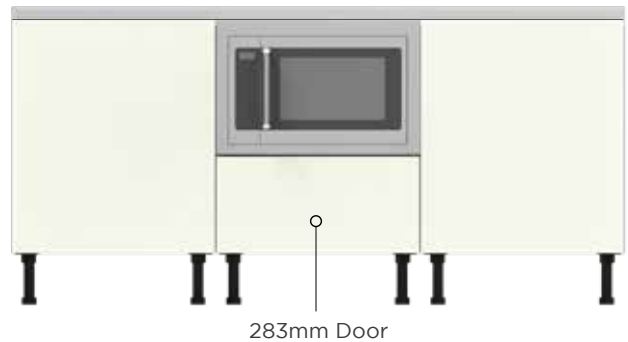
To allow the microwave to sit directly under the worktop, a split in the top rail will need to be taken into consideration. Use top rail end caps (GPTEND) to cleanly terminate the rail either side of the microwave.



To utilise the space below the microwave, we suggest using a frontal with a height of 325mm in this scenario.

Undermount Microwave **SCENARIO 2**

Some microwave appliances will have an overhang at the top. To allow the rail to flow without any breaks, we suggest using the overhang to align the top of the microwave with the adjacent doors.

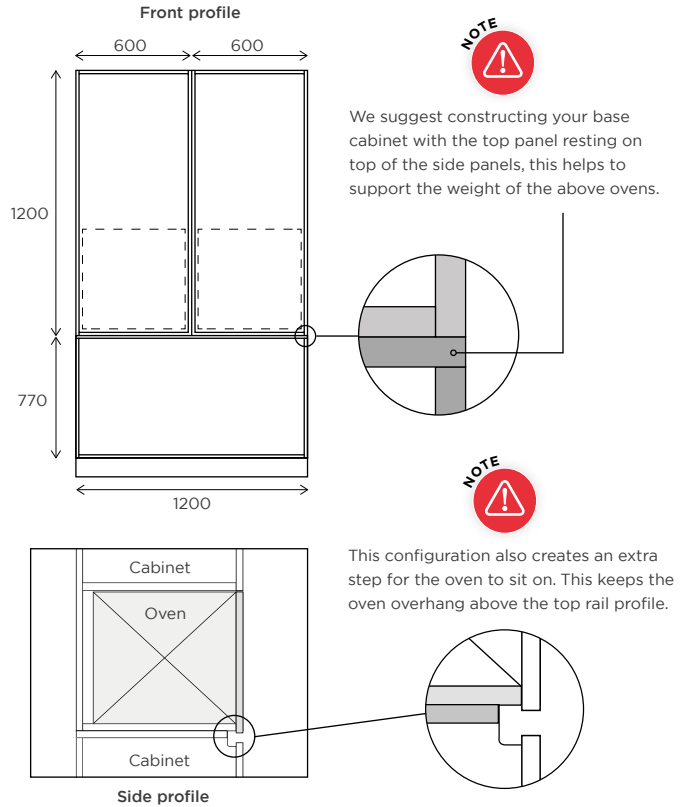


To utilise the space below the microwave, we suggest using a frontal with a height of 283mm in this scenario.

INTEGRATED OVENS

SIDE-BY-SIDE SINGLE OVENS

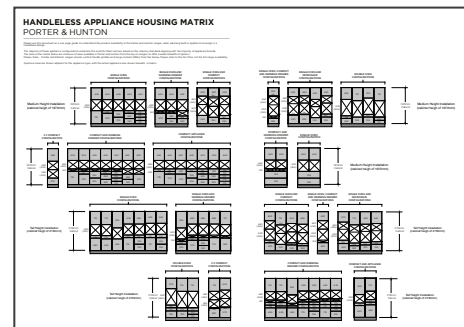
To achieve the look of a side-by-side oven housing, we recommend a certain cabinet configuration which allows the cabinets to support the weight of the two ovens.



APPLIANCE HOUSING CONFIGURATIONS



Double oven housing can vary depending on style and size of your appliances.

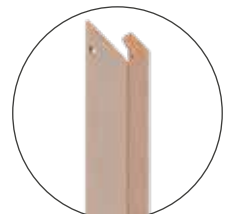


Make the most of your appliances by viewing our appliance matrix on page xx for an extensive range of configurations.

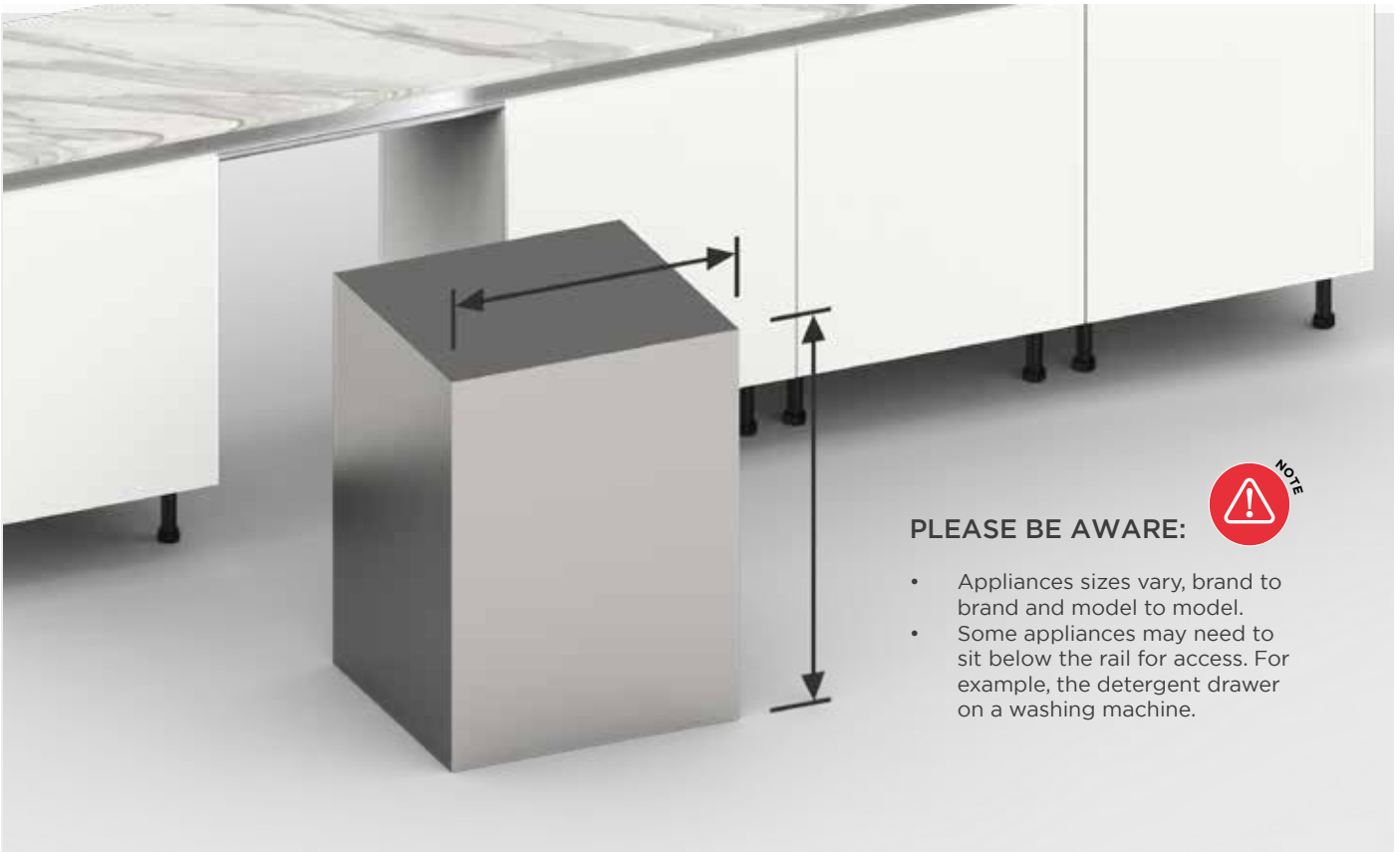
Use appliance fillers (GPVAPPFILL**) to close the gap between the oven and rails.



See page xx for fitting instructions.



WORKING WITH APPLIANCES



PLEASE BE AWARE:



- Appliances sizes vary, brand to brand and model to model.
- Some appliances may need to sit below the rail for access. For example, the detergent drawer on a washing machine.

WASHING MACHINES & TUMBLE DRYERS

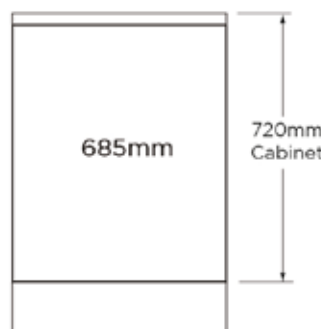
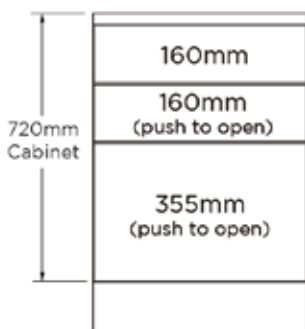


The following configurations can be used for integrating washing machines / tumble dryers where there may not be the required height available on standard handle-less kitchens. This requires increasing the cabinet height to 750mm and adopting the below frontal sizes

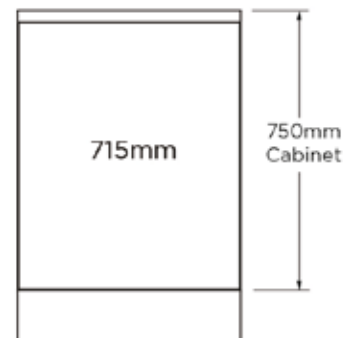
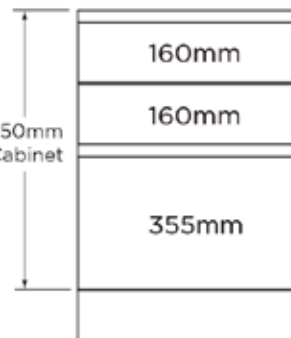


Make sure the top rail doesn't obstruct any of the buttons or compartments on your appliance.

Standard scenarios



Utility scenarios



UNDERMOUNT FRIDGES & FREEZERS

Undermount fridges & freezers can be a useful appliance in smaller spaces which might not have the room for full height appliances.



When incorporating an undermount fridge or freezer into your handleless design, take note of the top rail position. If possible, adjust the appliances legs to allow the door to swing from under the top rail.



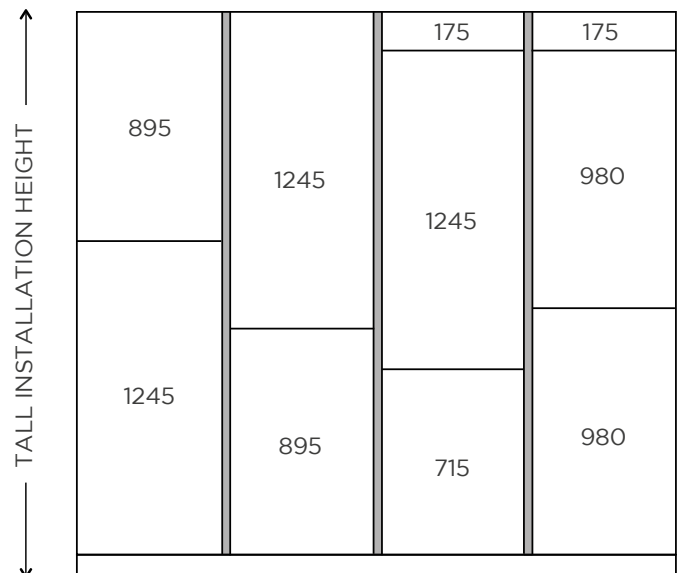
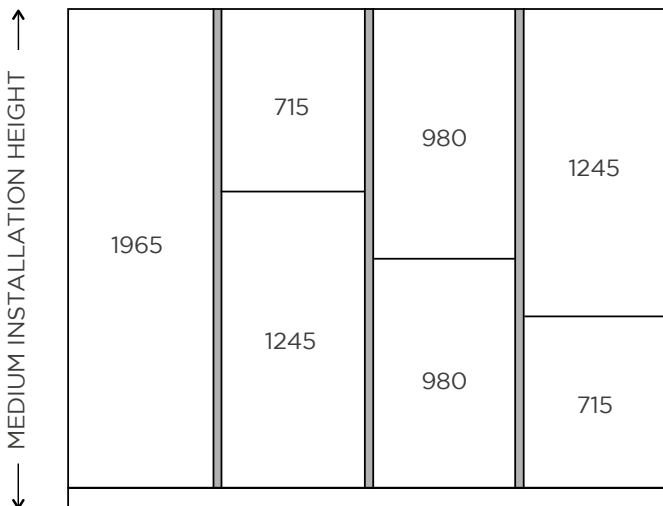
FULL HEIGHT FRIDGES & FREEZERS

Integrated fridges and freezers can create a more considered design, by keeping the fridge hidden, it allows a design to not be dictated by the colour or material of the appliance.

Our door offering caters for a range of integrated fridge/ freezer appliances, both in medium and tall installations.



See page xx & xx for information and installation on vertical rail profiles.



KESSEBÖHMER STORAGE

Our handleless door ranges are compatible with Kesseböhmer internal storage.



Please refer to Section 4 of The Directory for full Kesseböhmer offering.

BASE UNIT STORAGE

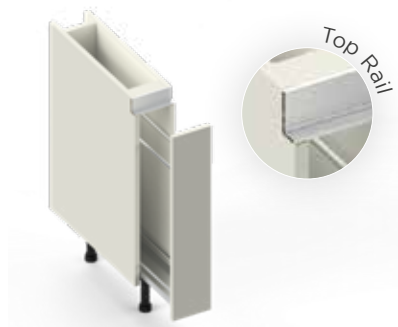


Pull-Out Towel Rack

Use: Transforms narrow spaces, great for use on either side of your sink or oven.

Cabinet widths:
150mm

Tray styles:
Silver Classic, Chrome Classic, Anthracite Style, Chrome Style

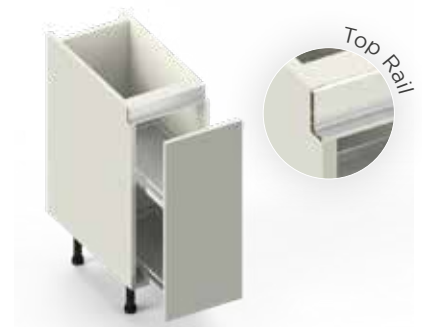


Pull-Out Tray Rack

Use: Transforms narrow spaces, great for use on either side of your sink or oven.

Cabinet widths:
150mm

Tray styles:
Silver Classic, Chrome Classic, Anthracite Style, Chrome Style



Base Unit Pull-Out

Movement: Tested to 60,000 cycles, the entire contents come out in a single movement.

Cabinet widths:
150, 300,400,500, 600mm

Tray styles:
Silver Classic, Chrome Classic, Chrome Arena, Anthracite Style, Chrome Style

LARDER UNIT STORAGE



Pull-Out Larder

Movement: Tested to 60,000 cycles, the entire contents comes all the way out in a single movement.

Cabinet widths:
300,400,500mm

Tray styles:
Silver Classic, Chrome Classic, Chrome Arena, Anthracite Style, Chrome Style



Swing Larder

Movement: Can be turned left or right (90 degrees) for easy access to either side.

Cabinet widths:
300mm

Tray styles:
Chrome Arena, Chrome Style



Tandem Larder

Movement: The rear trays are automatically drawn forward when the front door is opened.

Cabinet widths:
500,600mm - studio & full height

Tray styles:
Silver Classic, Chrome Classic, Chrome Arena, Anthracite Style, Chrome Style



Convoy Premio

Movement: Open the door and the entire contents come all the way out in a single movement.

Cabinet widths:
600mm

Tray styles:
Grey (no-shatter) glass-sided anti-slip trays

CORNER UNIT STORAGE



Magic Corner

Movement: Attached to the back of the door, both trays slide simultaneously for full access.

Cabinet widths:
900, 1000mm

Tray styles:
Silver Classic, Chrome Classic, Chrome Arena, Chrome Style



LeMans II

Movement: Each tray swings out of the cabinet completely and independently

Cabinet widths:
764, 800, 910, 960mm

Tray styles:
Silver Arena, Chrome Arena, Anthracite Style, Chrome Style



Corner Carousel

Movement: Centre mounted for 360 degree access.

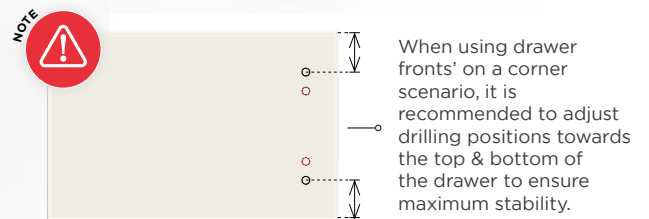
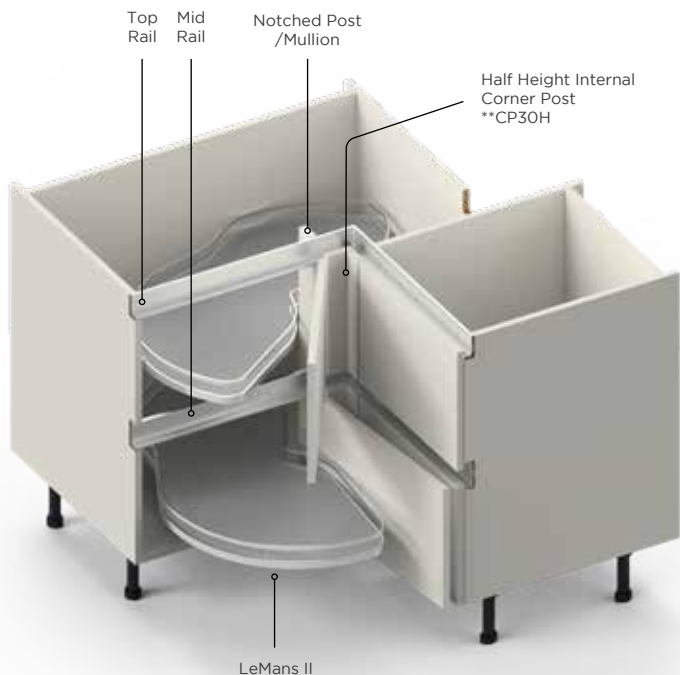
Cabinet widths:
900x900mm

Tray styles:
Chrome Arena, Chrome Style, Silver Classic, Chrome Classic

PLANNING WITH THE CONTINUATION OF A MID RAIL



The Porter Handleless accessory collection offers a continuation of linear rails throughout a design. Resulting in a high-end and very on-trend aesthetic. The LeMans II can be used when planning with top and mid rail profiles, maintaining storage functionality.



Please refer to page xx of this document for full listings of Porter Handleless accessories and installation.

5

PORTER HANDLELESS
ACCESSORIES

Porter Handleless Accessories

54	Porter Handleless Accessories
55	External Corner Post(s)
56	Internal Corner Post(s)
57	L - Shaped Base Feature End Panel
58	C - Shaped Base Feature End Panel
59	C - Shaped Base (Double) Feature End Panel

Key Icons

Below are some handy keys to help you navigate around this document.

TOP TIP



Our top tips
Nifty top tips from our designers and fitters

NOTE



Please note
Important bits of information to consider when planning or fitting your kitchen

SEE PAGE



Refer to page
Look out for the 'see page' icon to aid navigation through this document

CODES



Product codes
For quick reference, each page will have a summary of the product codes listed.

FEATURE PRODUCT



Feature products
Stand out products that can create feature within a kitchen design.

PORTER HANDLELESS ACCESSORIES

PORTER HANDLELESS ACCESSORIES

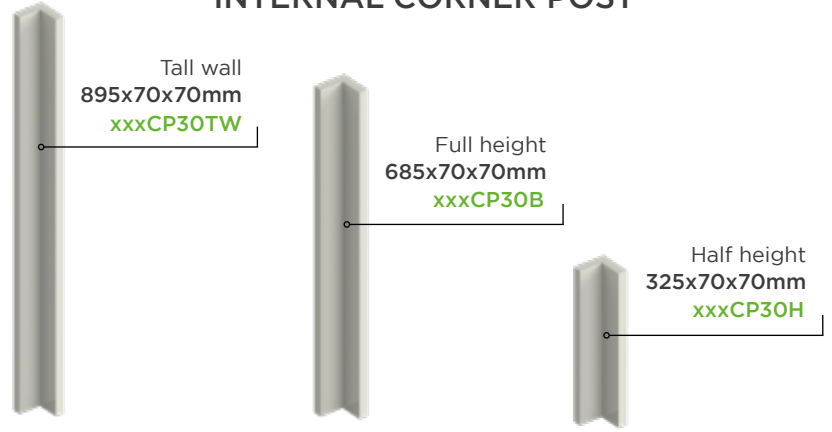


The Porter range has been designed to work in unison with the handleless rail system comprising of a complete range of handleless accessories.

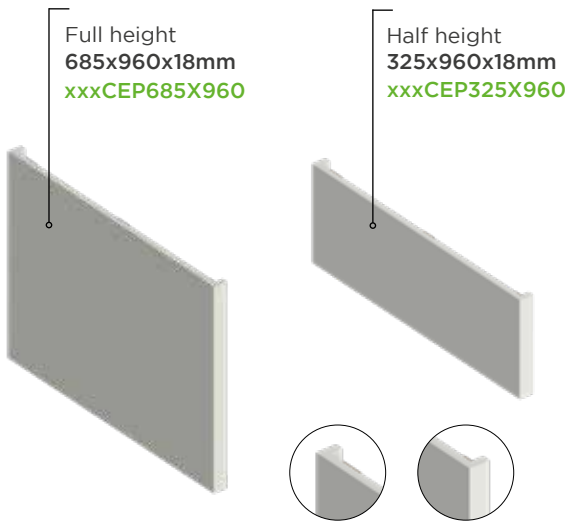
EXTERNAL CORNER POST



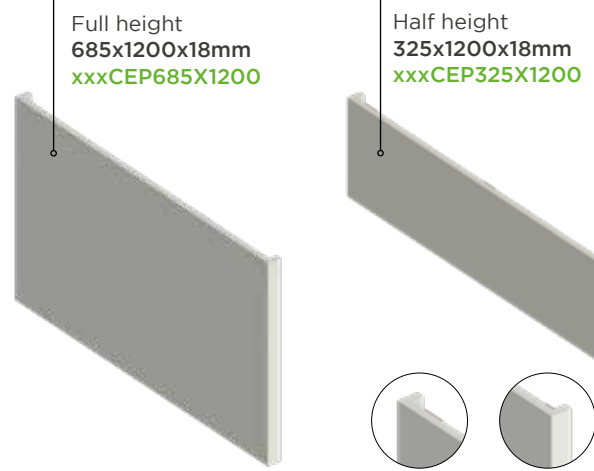
INTERNAL CORNER POST



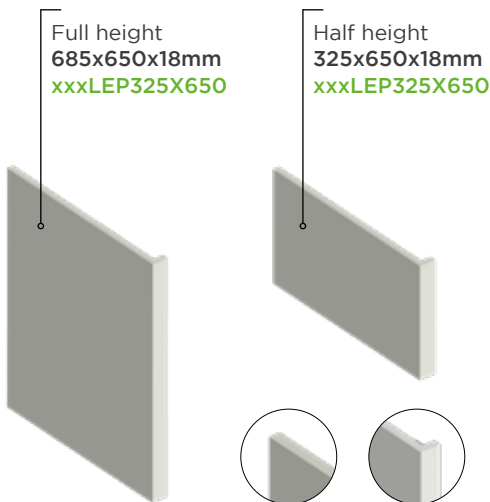
C-SHAPED FEATURE END PANEL



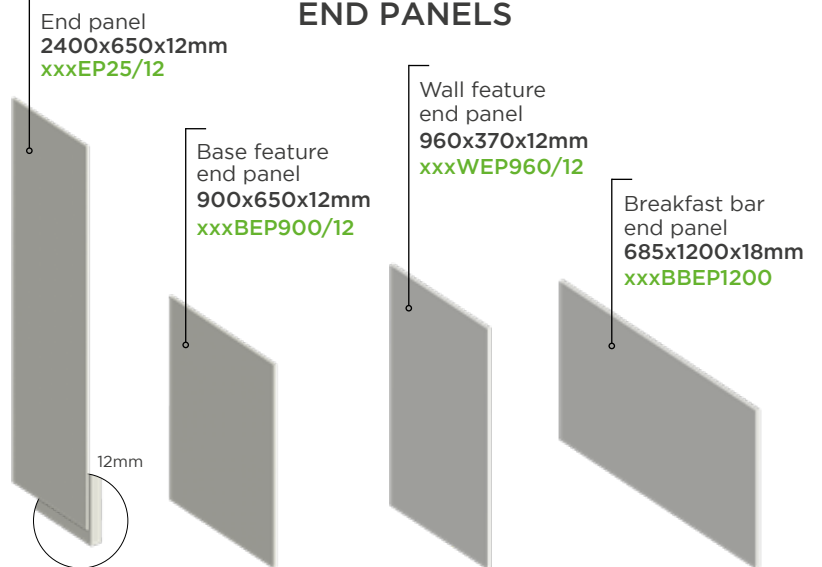
C-SHAPED (DOUBLE) FEATURE END PANEL



L-SHAPED FEATURE END PANEL



END PANELS





PORTER HANDLELESS ACCESSORIES

EXTERNAL CORNER POSTS

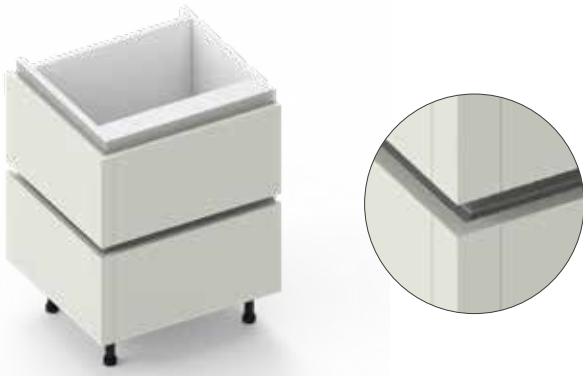
The full height/ half height external corner post works in unison with top and mid rail applications, allowing both rails to turn round an external corner, keeping the linear aesthetic.



The external corner posts are unhandled and come with a pre-assembled packer for ease of fitting.

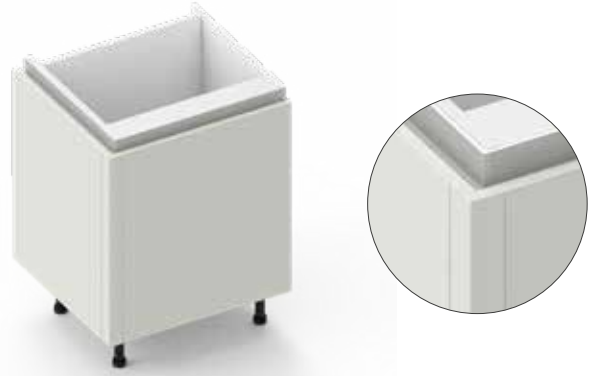


See pages xx & xx for more information on external corner joints for recessed rails.



HALF HEIGHT EXTERNAL CORNER POSTS

325 x 46 x 18mm | xxxECP325



FULL HEIGHT EXTERNAL CORNER POSTS

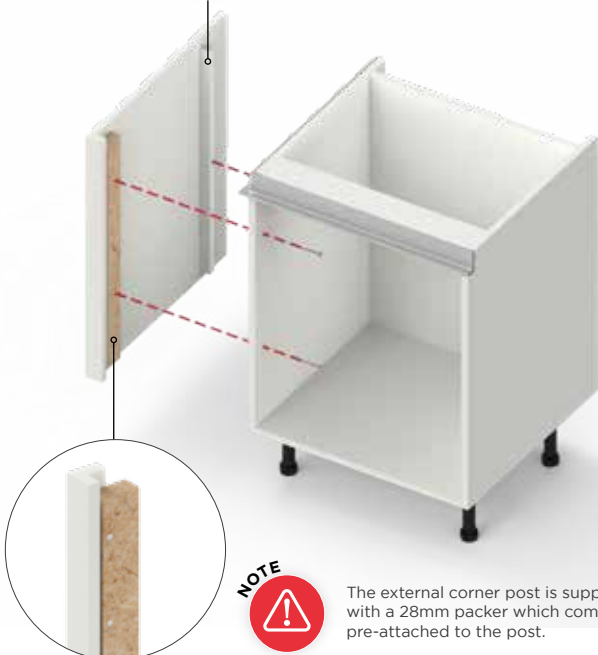
685 x 46 x 18mm | xxxECP685

INSTALLATION

To attach the end panel to the cabinet, screw through the inside of the cabinet into the packer attached to the end post.



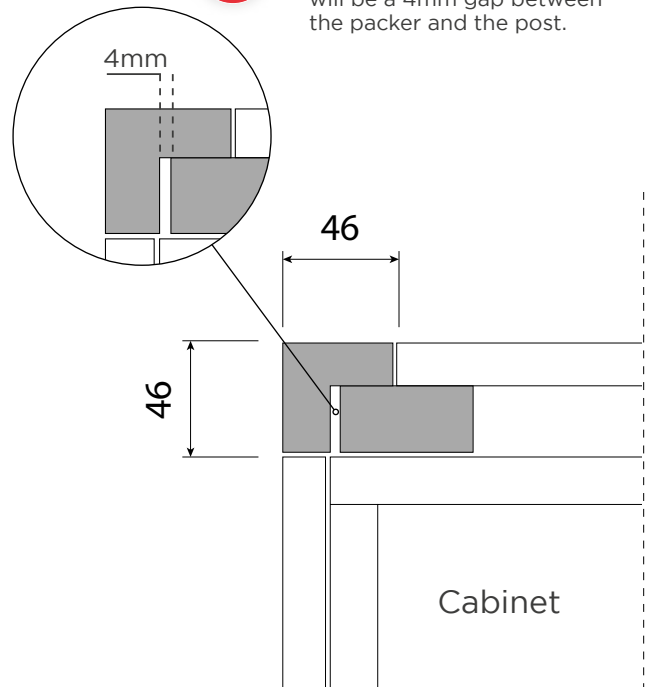
Use scrap material to create an extra 28mm packer to firmly secure the end panel.



The external corner post is supplied with a 28mm packer which comes pre-attached to the post.



So that the packer isn't seen in the gap between the frontal and the cabinet, there will be a 4mm gap between the packer and the post.



PORTER HANDLELESS ACCESSORIES



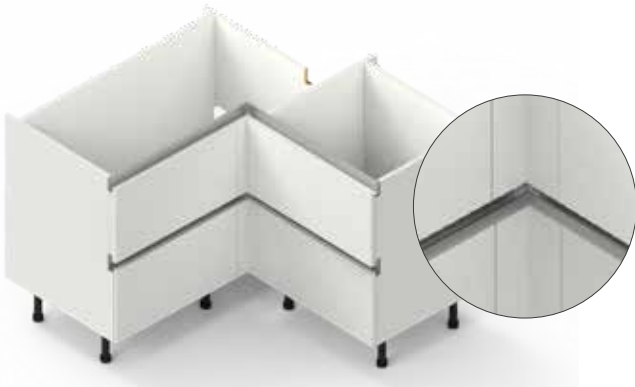
PORTER HANDLELESS ACCESSORIES

INTERNAL CORNER POSTS

The full height/ half height internal corner post works in unison with top and mid rail applications, allowing both rails to turn round an internal corner, keeping the linear aesthetic.

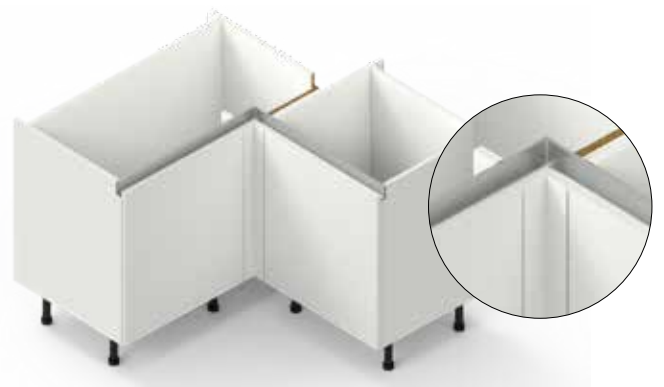


See pages **xx** & **xx** for more information on internal corner joints for recessed rails.



HALF HEIGHT INTERNAL CORNER POSTS

325 x 70 x 18mm | **xxxCP30H**



FULL HEIGHT INTERNAL CORNER POSTS

685 x 70 x 18mm | **xxxCP30B**

INSTALLATION

TOP TIP

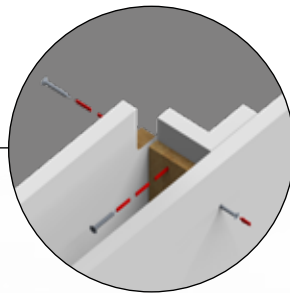


Attach packers to the corner post before fitting to the cabinet. once attached, screw through each packer until firmly secured to the corresponding cabinet.

NOTE



Packers are NOT supplied with the internal corner post.



NOTE

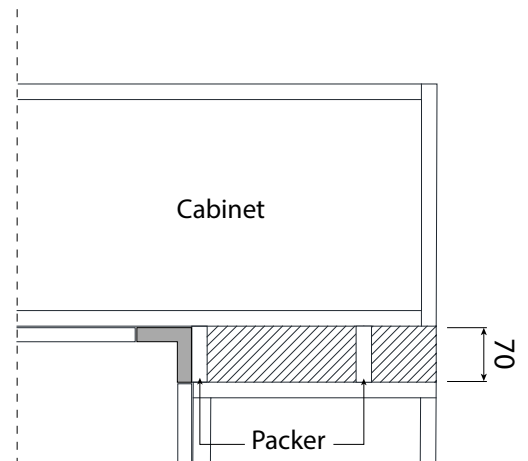


The internal corner post should sit in the 70mm gap between the two corner cabinets. This should leave enough room for two packers to be fitted.

TOP TIP



We recommend using two 70mm packers. One to fix the post to the cabinets and the other to keep the void between the corner cabinets at 70mm.

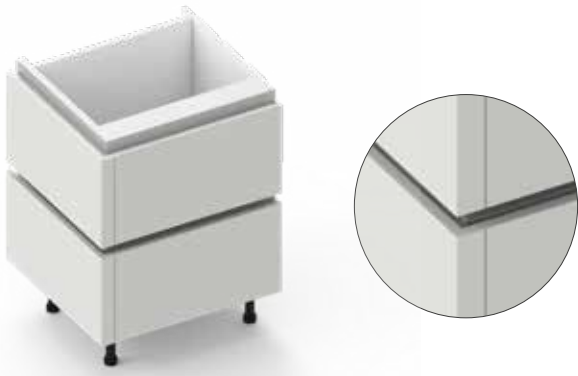




PORTER HANDLELESS ACCESSORIES

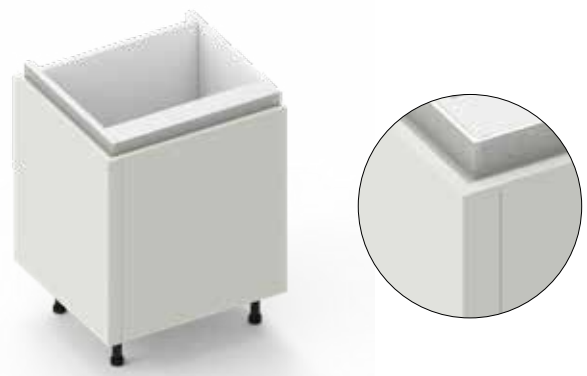
L-SHAPE BASE FEATURE END PANEL

The L Shape base feature end panel should be used when turning a corner and returning into a wall. Unhanded, the panel can be used for left or right instances and comes pre-assembled with fixing batons for ease of installation. The panel is 650mm in depth, allowing for compatibility with 560 and 580mm deep cabinets, including any scribing that may be required.



L-SHAPE HALF HEIGHT BASE
FEATURE END PANEL

325 x 650 x 18mm | xxxLEP325X650



L-SHAPE BASE FEATURE
END PANEL

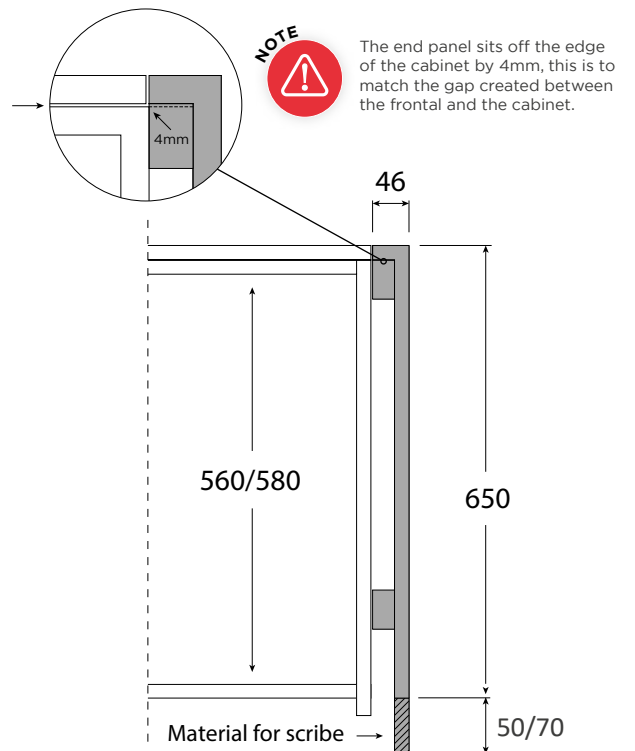
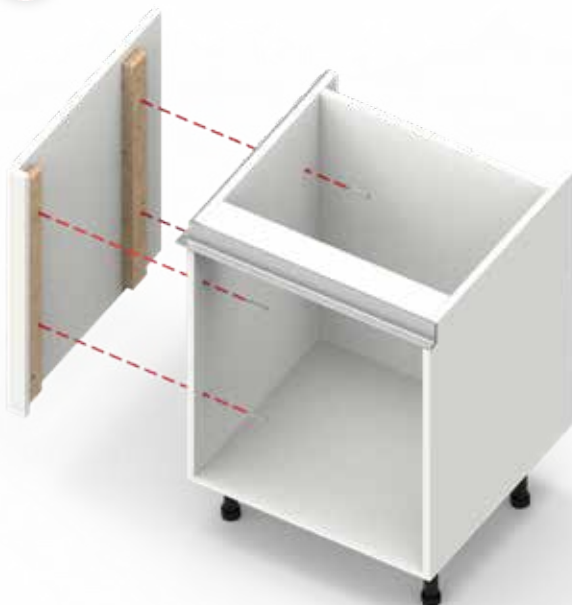
685 x 650 x 18mm | xxxLEP685X650

INSTALLATION

The L-shape end panels are pre-fixed with two 28mm packers for ease of installation. To attach the panel, screw through the inside of the cabinet until the screw is firmly secured in the packer on the other side.



The end panels can be used for left and right handed applications.



The length of the end panel has been considered for scribing against a wall.

PORTER HANDLELESS ACCESSORIES



PORTER HANDLELESS ACCESSORIES

C-SHAPE BASE FEATURE END PANEL

The C shape base feature end panel should be used on island applications and is designed for use with 1 x full depth cabinet (560mm or 580mm) and 1 x shallow depth cabinet (300 or 340mm) back to back. Unhanded, the panel can be used for left or right instances and comes pre-assembled with fixing batons for ease of installation.



The panel is pre-assembled and cannot be cut down. The product has been designed to suit a variety of cabinet depths so please space off cabinetry to suit product dimensions.



C-SHAPE HALF HEIGHT ISLAND
FEATURE END PANEL

325 x 960 x 18mm | xxxCEP325X960

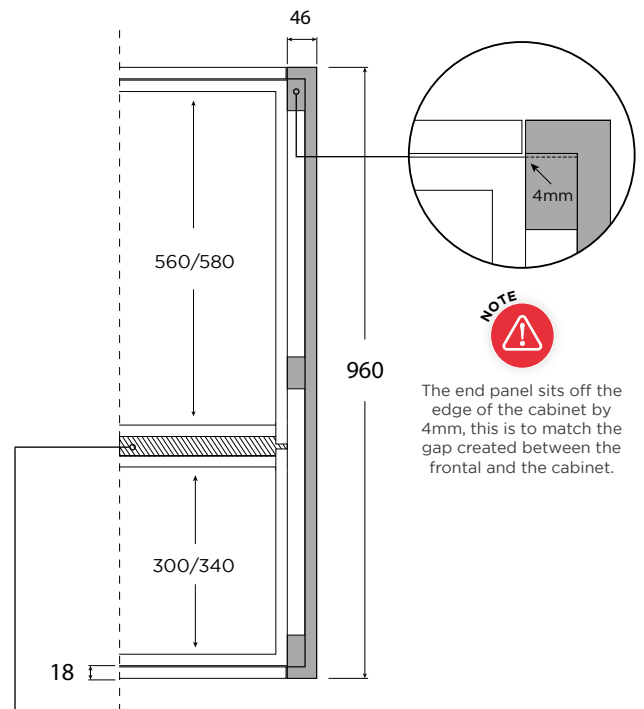
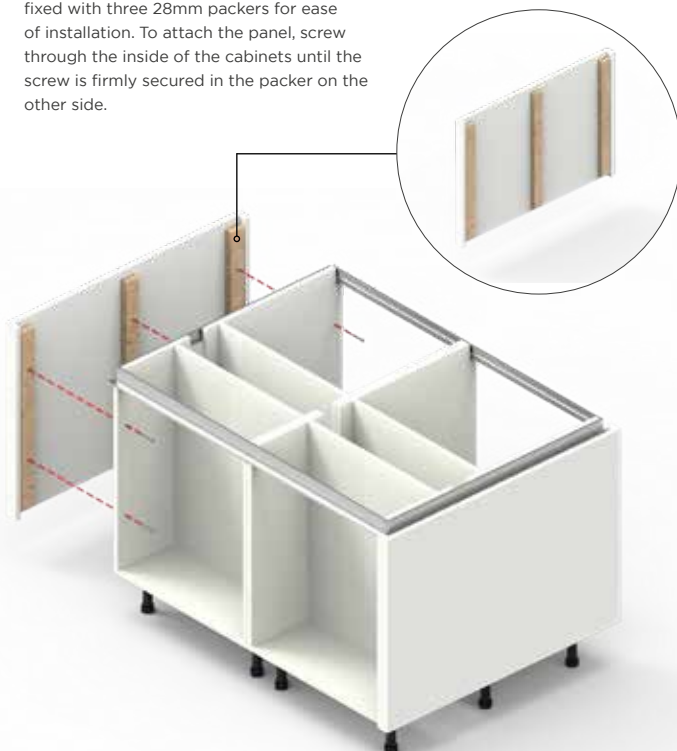


C-SHAPE ISLAND
FEATURE END PANEL

685 x 960 x 18mm | xxxCEP685X960

INSTALLATION

The C-shape base feature end panel is pre-fixed with three 28mm packers for ease of installation. To attach the panel, screw through the inside of the cabinets until the screw is firmly secured in the packer on the other side.



The end panel sits off the edge of the cabinet by 4mm, this is to match the gap created between the frontal and the cabinet.



Using a shallow cabinet with the 960mm end panel will create a gap between the two cabinets.



PORTER HANDLELESS ACCESSORIES

C-SHAPE BASE (DOUBLE) FEATURE END PANEL

The C shape base feature end panel should be used on island applications and is designed for use with 2x full depth cabinet (560mm or 580mm) back to back. Unhanded, the panel can be used for left or right instances and comes pre-assembled with fixing batons for ease of installation.



The panel is pre-assembled and cannot be cut down. The product has been designed to suit a variety of cabinet depths so please space off cabinetry to suit product dimensions.



C-SHAPE HALF HEIGHT
(DOUBLE) FEATURE END PANEL

325 x 1200 x 18mm | **xxxCEP325X1200**

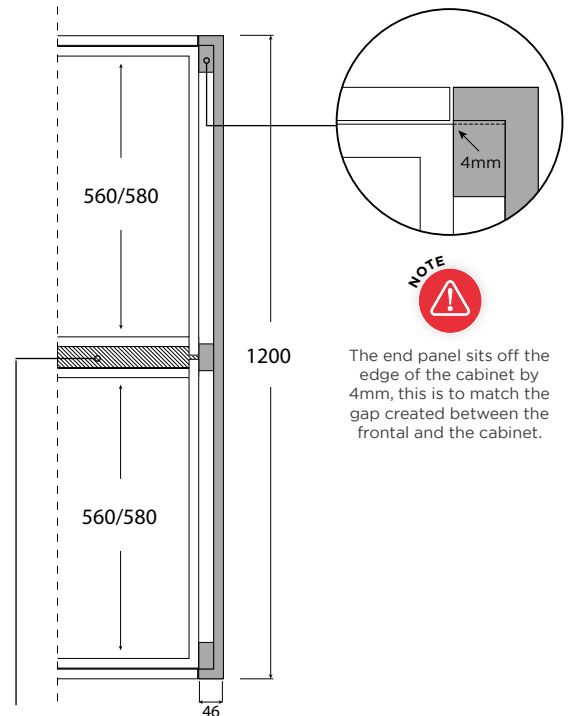
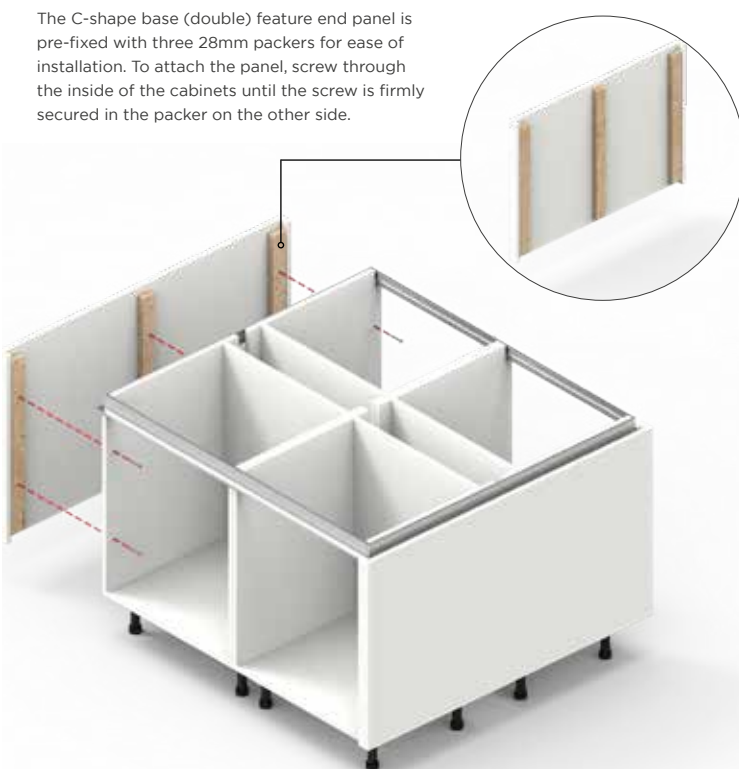


C-SHAPE BASE
(DOUBLE) FEATURE END PANEL

685 x 1200 x 18mm | **xxxCEP685X1200**

INSTALLATION

The C-shape base (double) feature end panel is pre-fixed with three 28mm packers for ease of installation. To attach the panel, screw through the inside of the cabinets until the screw is firmly secured in the packer on the other side.



The end panel sits off the edge of the cabinet by 4mm, this is to match the gap created between the frontal and the cabinet.



Using two 560 cabinets will create a 40mm gap.





Porter shown in Gloss White with Aluminium rails, featuring an Alpina Smoked Larch back run.

1

FLUSH RAIL
SYSTEM

Key Icons

Below are some handy keys to help you navigate around this document.

TOP TIP



Our top tips
Nifty top tips from our designers and fitters

NOTE



Please note
Important bits of information to consider when planning or fitting your kitchen

SEE PAGE



Refer to page
Look out for the 'see page' icon to aid navigation through this document

CODES



Product codes
For quick reference, each page will have a summary of the product codes listed.

FEATURE PRODUCT



Feature products
Stand out products that can create feature within a kitchen design.

Introducing: Flushed Rail Systems

64 Introduction to Flush Rails

66 Compatible Door Ranges

Specification & Installation

69 Product Range Overview

70 Top Rail Profiles

71 Mid Rail Profiles

73 Wall Cabinets

74 Vertical Profiles - Intermediate

75 Vertical Profiles - Lateral

Working With Appliances

76 Ovens

77 Fridges/ Freezers

78 Dishwasher Frame

INTRODUCING FLUSH RAIL SYSTEMS



Chalk
(ELC)



Rye
(RYE SUFFIX)



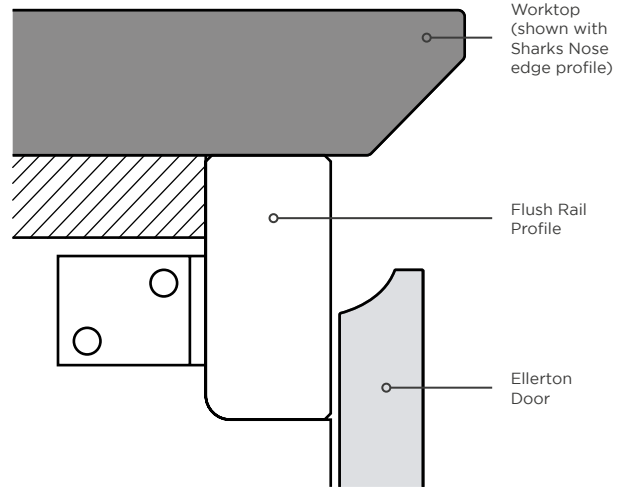
PAINT-TO-ORDER
(ELX)

The Flush Rail Profile is designed to sit flush to the front of the cabinet. This uses the same cabinet router detail as the Recessed Handleless Rail.

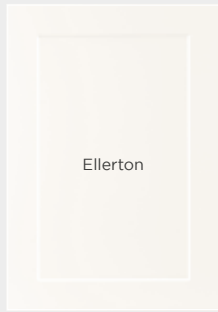
It should be planned with doors that feature a reverse chamfer or in conjunction with push to open mechanisms.

Available in 2 stocked finishes: Chalk & Rye. Paint-to-order is also offered for these products.





PRODUCT INFORMATION

STOCK FINISHES	Chalk
COMPATIBLE DOOR RANGES	
 <p>Ellerton</p>	



PAINT-TO-ORDER (ELX)

^
Ellerton Doors and Flush Rails shown in chalk.

COMPATIBLE DOOR RANGES

Ellerton doors shown in Chalk, featuring Rye flush rails.



ELLERTON



Stocked Range



Handleless Rail Sizes



Painted Finish



Paint-to-Order Service

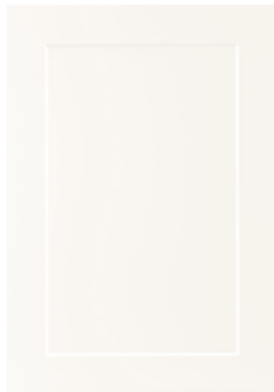


Door Drilling Service



6 Year Guarantee

Ellerton's delicate centre panel and narrow frame provide a contemporary take on the traditional shaker. We've softened the popular handleless look with a choice of contrasting oak and painted flush-fitted rail trims. Ellerton's smooth matt painted finish and subtle reverse chamfer detail help to define the overall refine feel.



Chalk (ELC)

PRODUCT INFORMATION



Shown in Paint-to-Order Partridge Grey

DOOR THICKNESS

18mm

DOOR FRAME

60mm

EDGE DETAIL

Radius profile, overpainted



PRODUCT OVERVIEW

DOOR STYLE	Handleless Shaker
DOOR THICKNESS	18mm (shallow centre panel)
SPECIFICATION	HDF with melamine reverse
FINISH	Smooth matt painted (Primed door unfinished, ready to paint)
REVERSE	Matching matt melamine reverse
CERTIFICATION	Fira Gold
PRICE BAND	£ £ £

DOOR FINISH BOARD MATCH

CHALK	Egger W980 Kronospan K101
-------	------------------------------



Ellerton doors and Flush Rails shown in Chalk.



Specification & Installation

This section will talk you through the Flush Rail product offering and recommended installation methods for each rail profile.

PRODUCT RANGE OVERVIEW

The Flush Rail Profile is designed to sit flush to the front of the cabinet. This uses the same cabinet router detail as the Recessed Handleless Rail.



Chalk (ELC)



Rye (RYE SUFFIX)



PAINT-TO-ORDER (ELX)



Use the following pre-fix codes for the relevant stock finish, in place ***



Ellerton shown in Silver Grey. With Silver Grey Flush Rails.

TOP rail profile

MID rail profile

VERTICAL rail profiles

A



B



C



D



Code	Description
***TP3000	Flush horizontal trim TOP profile for base units. For use with chamfer door - 3000x57x26.5mm
***TP3000RYE	Flush horizontal trim TOP profile for base units. For use with chamfer door - 3000x57x26.5mm

Code	Description
***MP3000	Flush horizontal trim MID profile for base units. For use with chamfer door - 3000x57x26.5mm
***MP3000RYE	Flush horizontal trim MID profile for base units. For use with chamfer door - 3000x57x26.5mm

Code	Description
***VPI3000	Vertical trim profile INTERMEDIATE - 3000x71x41mm
***VPI3000RYE	Vertical trim profile INTERMEDIATE - 3000x71x41mm

Code	Description
***VPL3000	Vertical trim profile LATERAL - 3000x53x41mm
***VPL3000RYE	Vertical trim profile LATERAL - 3000x53x41mm

SPECIFICATION & INSTALLATION

Installing **TOP** rail profiles

When using a standard base unit, the top panel and gables of the cabinet need to be modified from standard cabinet construction.

We recommend using L-shaped corner brackets to install rail profiles.

Code	Description
***TP3000	Flush horizontal trim TOP profile for base units. For use with chamfer door - 3000x72x26.5mm
ELC3000RYE	Flush horizontal trim TOP profile for base units. For use with chamfer door - 3000x57x26.5mm (rye finish)



PAINT-TO-ORDER (ELX)



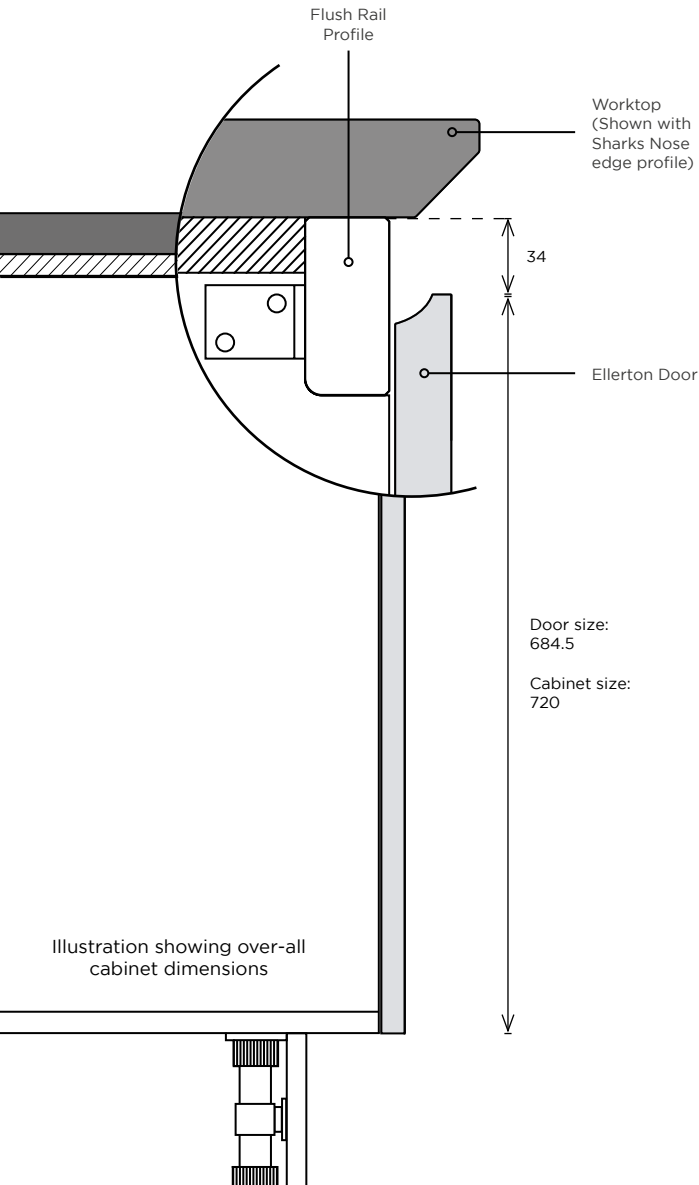
Chalk (ELC)



Rye (RYE SUFFIX)

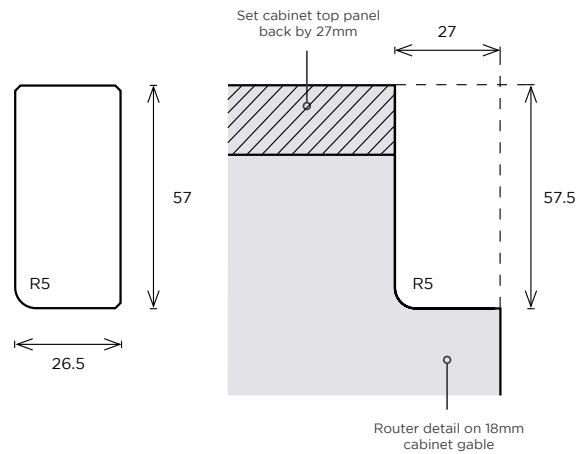


Use the following pre-fix codes for the relevant stock finish, in place ***

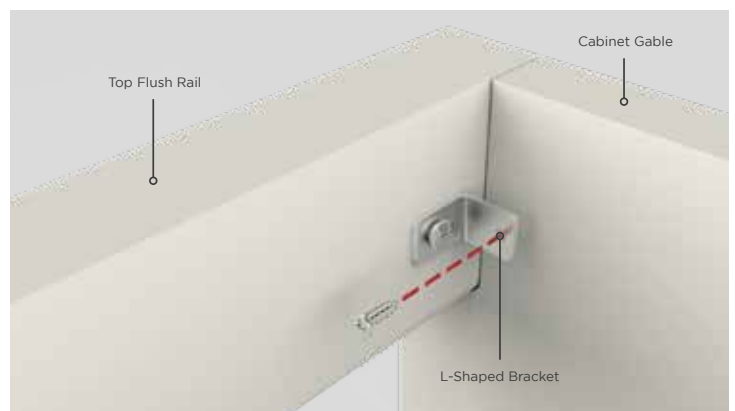


Routing Cabinet Detail

Both gables of the cabinet need to be routed (details of this is shown below). We suggest using a 10mm router cutter in order to achieve the 5mm internal radius required.



Rail Installation

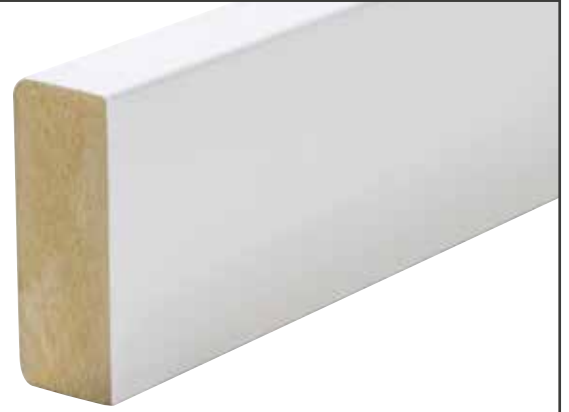


Installing MID rail profiles

When using a standard base unit, the top panel and gables of the cabinet need to be modified from standard cabinet construction.

We recommend using L-shaped corner brackets to install rail profiles.

Code	Description
***MP3000	Flush horizontal trim MID profile for base units. For use with chamfer door - 3000x57x26.5mm
ELC3000RYE	Flush horizontal trim MID profile for base units. For use with chamfer door - 3000x57x26.5mm (rye finish)



PAINT-TO-ORDER (ELX)



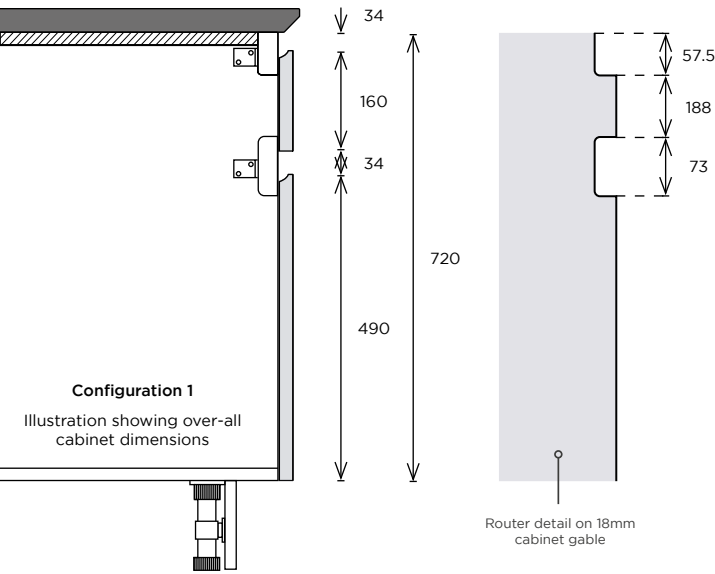
Chalk (ELC)



Rye (RYE SUFFIX)

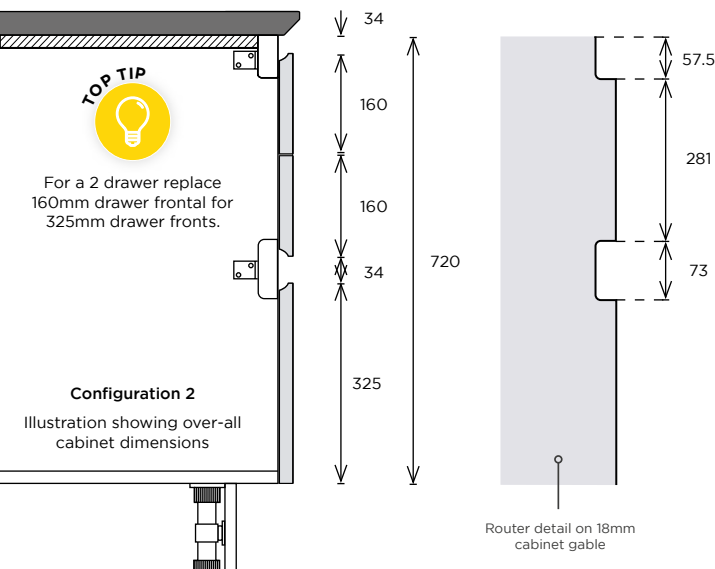
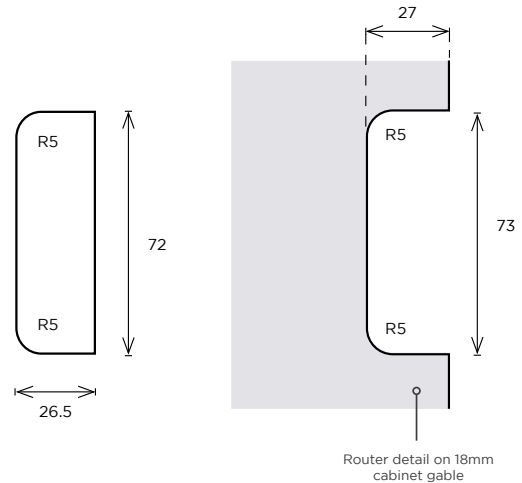


Use the following pre-fix codes for the relevant stock finish, in place ***

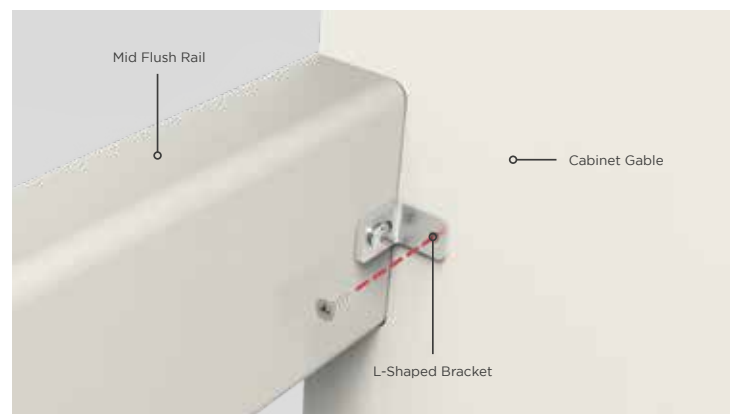


Routing Cabinet Detail

Both gables of the cabinet need to be routed (details of this is shown below). We suggest using a 10mm router cutter in order to achieve the 5mm internal radius required.



Rail Installation





Ellerton shown in Silver Grey.
With Silver Grey Flush Rails.

Installing wall cabinets

There is no specific rail profile for wall units. Unlike the recessed rail profiles, there is no requirement to modify the base panel of the cabinet when using the flush rail system and should be treated as standard lay-on doors.



Use light pelmet to give the impression of a flush rail on wall units (as featured in image, left).



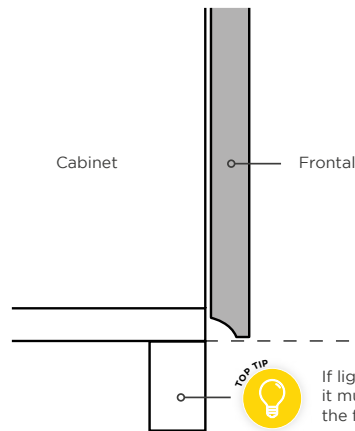
Scenario 1 - Flush



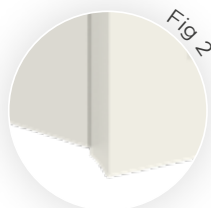
Door flush with cabinet

Technical Requirements

Scenario 1 illustrates the flush look you can achieve when you align Ellertons chamfered handle with the bottom of the wall cabinet.



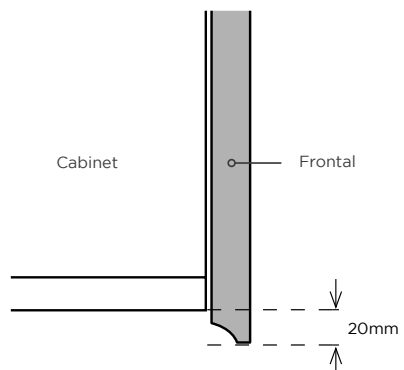
Scenario 2 - Overhang



Door overhangs cabinet

Technical Requirements

Scenario 2 shows that by overhanging the frontal by approximately 20mm, the Ellerton door will allow for enough purchase on the chamfered edge.



SPECIFICATION & INSTALLATION

Installing vertical profiles - INTERMEDIATE



PAINT-TO-ORDER (ELX)



Chalk (ELC)



Rye (RYE SUFFIX)



Use the following pre-fix codes for the relevant stock finish, in place ***

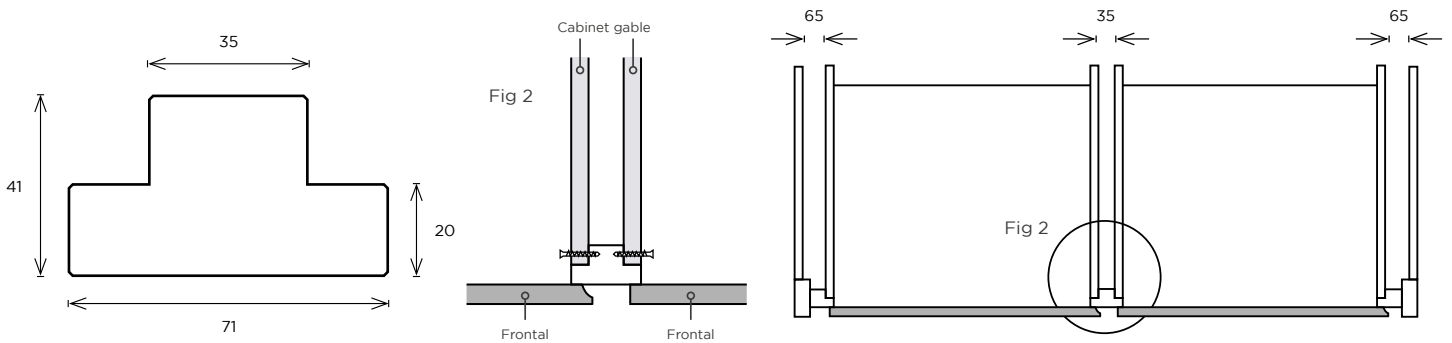
Both the vertical intermediate rail profile and vertical lateral rail profile should be installed using the same basic principles and tools.

Simply locate the profile into the position and screw through the cabinet gable and into the rail profile to secure in place.



Code	Description
***VPI3000	Vertical trim profile INTERMEDIATE - 3000x53x41mm
ELC3000RYE	Vertical trim profile INTERMEDIATE - 3000x53x41mm (Rye finish)

Technical Requirements



Rail Installation



35mm spacers required between cabinets.



It is not necessary to modify the top or bottom panel of the cabinet.

Image shows Flush Rails in Rye finish.

Installing vertical profiles - LATERAL

When planning larger units and appliance housings, the cabinet gables need to be set back by 20mm, allowing the vertical rail profiles to sit flush to the front of the cabinet.



PAINT-TO-ORDER (ELX)



Chalk (ELC)



Rye (RYE SUFFIX)

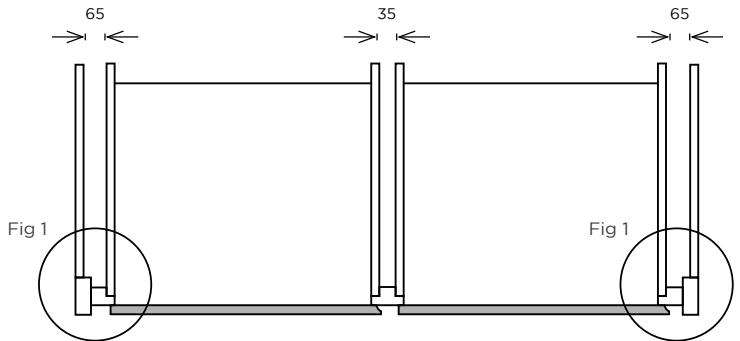
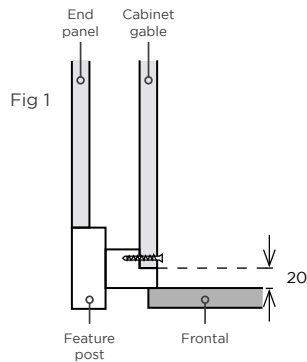
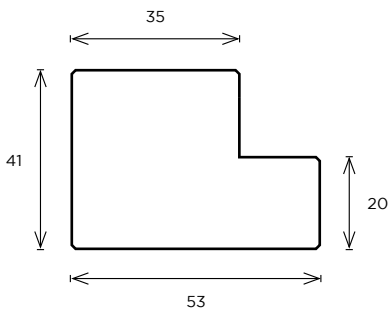


Use the following pre-fix codes for the relevant stock finish, in place ***

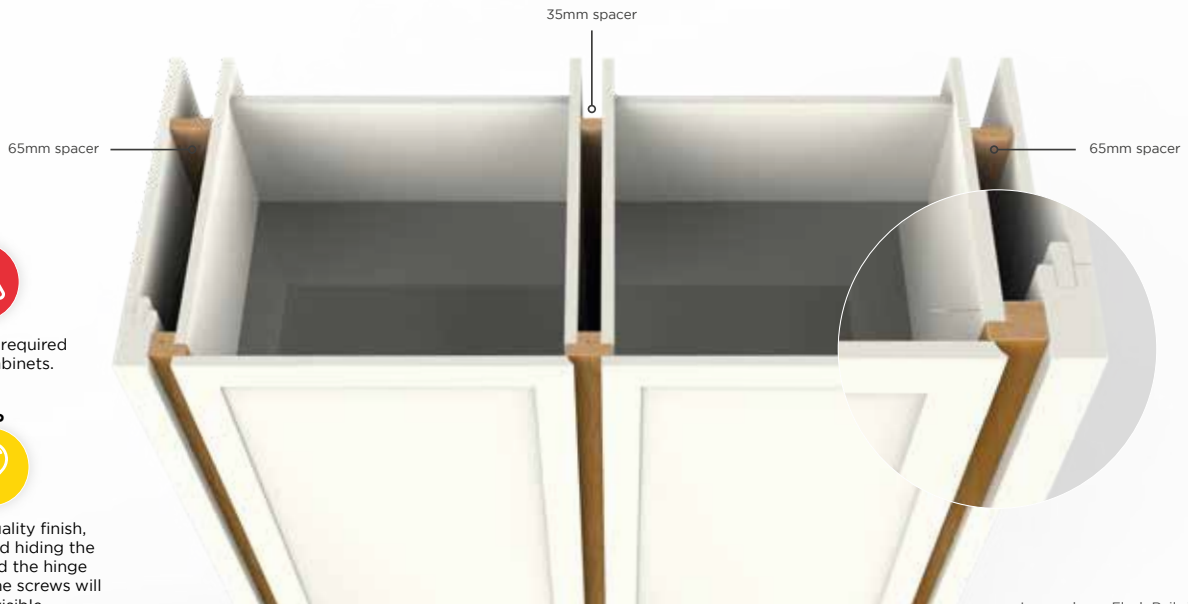


Code	Description
***VPL3000	Vertical trim profile LATERAL - 3000x53x41mm
ELC3000RYE	Vertical trim profile LATERAL - 3000x53x41mm (Rye finish)

Technical Requirements



Rail Installation



35mm spacers required between cabinets.



For a high quality finish, we recommend hiding the screws behind the hinge plates where the screws will not be visible.

Image shows Flush Rails in Rye finish.

WORKING WITH APPLIANCES

UNDERMOUNT OVENS

Integrated ovens and microwaves can be utilised to make the most of undercounter space, however, some details will need to be taken into consideration when planning around the handles rail system.



Undermount Oven **SCENARIO 1**

Scenario 1 shows the rails terminated on each side of the appliance. A filler is fixed below the oven to fill the left over void.



Undermount Oven **SCENARIO 2**

To continue the top rail profile across a run of units, with an undermount oven, a small filler is required at the top and bottom of the appliance.

TOP TIP



Make sure to use the top profile of an Ellerton door to line through with the adjacent frontals.



FREE STANDING OVENS

In scenarios where a free standing oven terminates the run of the flush rails, we recommend running the rails into an end panel either side of the oven. This will hide any of the rails cut edges, creating a cleaner execution.

UNDERMOUNT FRIDGES & FREEZERS

Undermount fridges & freezers can be a useful appliance in smaller spaces which might not have the room for full height appliances.



When incorporating an undermount fridge or freezer into your handleless design, take note of the top rail position. If possible, adjust the appliances legs to allow the door to swing from under the top rail.



Ellerton shown in White with Rye Flush Rails.

APPLIANCE HOUSING FRIDGES & FREEZERS

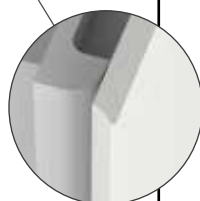
If the appliance does not permit, we recommend incorporating the appliance into a housing and using with the Vertical Rail Profiles and a 715mm door. (with vertical chamfer)



Ellerton shown in White with Rye Flush Rails.

We have a selection of Vertical Chamfered Doors:

- 715x397mm, vertical chamfer (**714VH)
- 1245x397mm, vertical chamfer (**124VH)
- 283x597mm, vertical chamfer (**286VH)
- 355x597mm, vertical chamfer (**356VH)



WORKING WITH APPLIANCES



Planning with a Dishwasher Frame

The Dishwasher Frame is designed for use with dishwashers on handleless kitchen designs where the continuation of the drawer pack is required across the dishwasher.

The frame is machined to accept the mid profile, for both recessed and flush rails, which is not supplied and should be ordered with the rest of the kitchen.

Code	Description
GPDDWF	Drawer line dishwasher frame, stainless steel finish, for use with mid rail profile



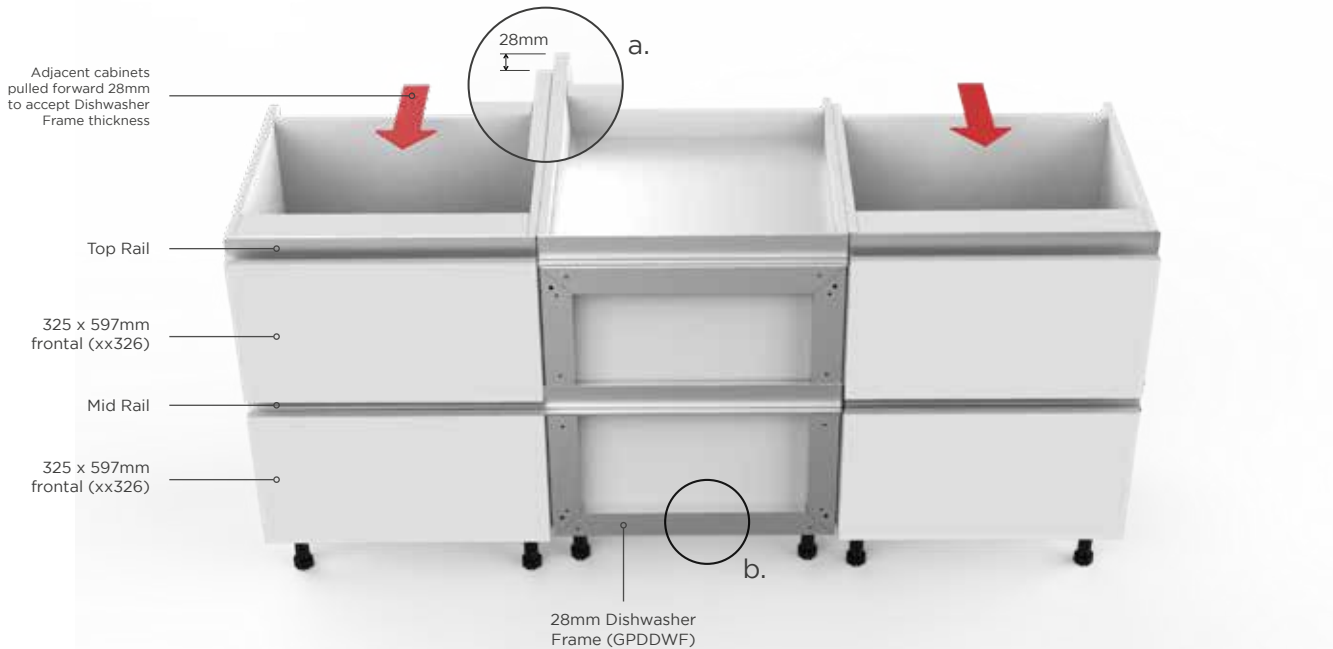
Dishwasher frame is **28mm thick**



PLANNING WITH A DISHWASHER FRAME



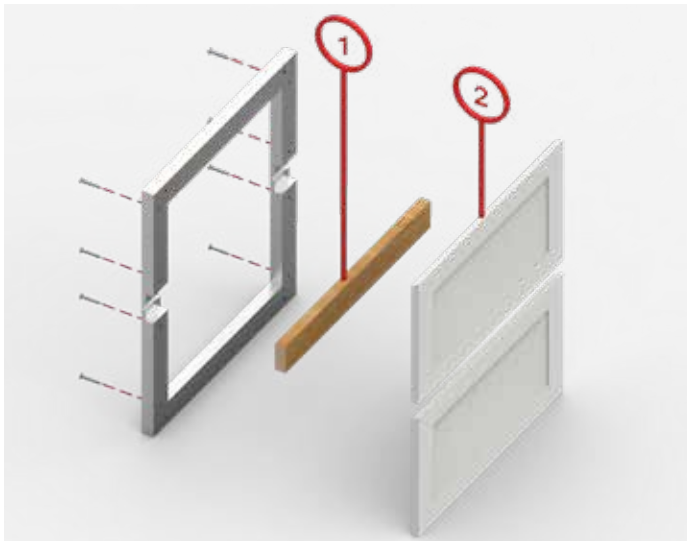
The Dishwasher Frame is 28mm thick. It is therefore required to pull all adjacent cabinets forward by 28mm to align frontals and rails. The Dishwasher Frame accommodates for 2 x 325mm drawer frontals. The top drawer frontal will overhang the top of the dishwasher frame to allow for purchase with the above handleless rail.



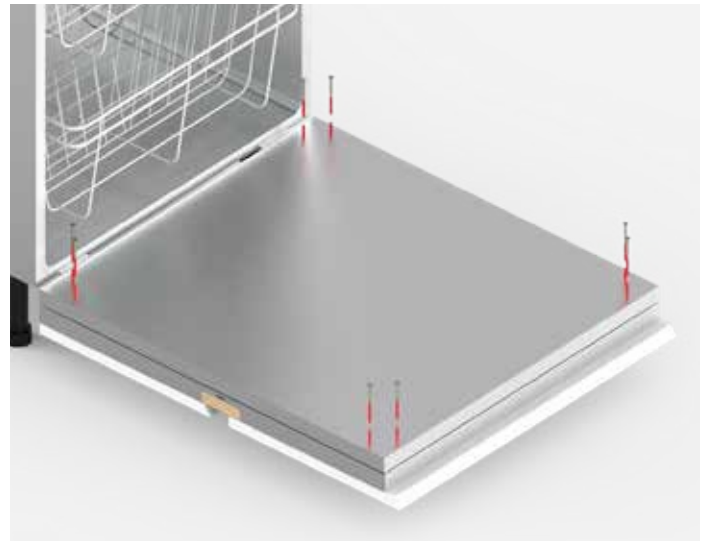
To accommodate the thickness of the dishwasher frame, adjacent cabinets will need to be pulled forward by 28mm to align frontals and rails.

In order to accommodate the swing of the frame, the plinth below the dishwasher requires to be notched.

INSTALLATION OF DISHWASHER FRAME



01. Start by installing the mid rail to the Dishwasher Frame. The Mid Rail sits inside the machined void. Next, attach the frontals by screwing through the rear of the frame using the pre-drilled fixing holes.



02. Fix Dishwasher Frame (with frontals and mid rail attached) to the Dishwasher door. Use the pre-drilled fixing holes on the dishwasher door to locate fixing points.

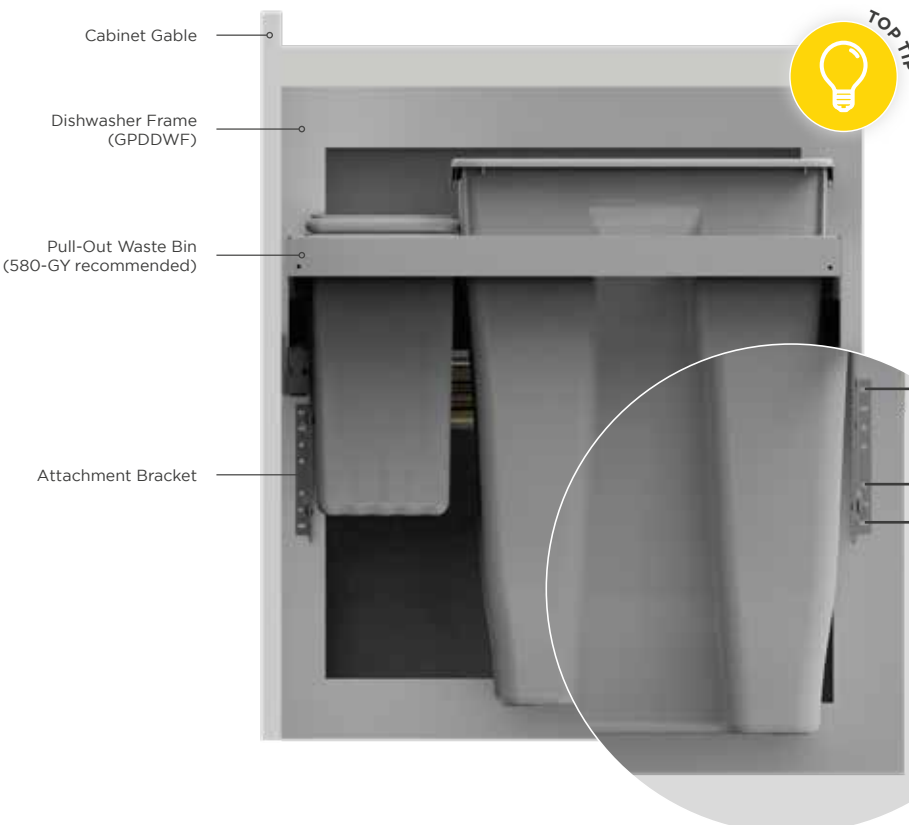
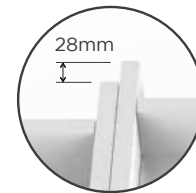
INSTALLATION OF GOLLINUCCI PULL-OUT WASTE BIN

DID YOU KNOW?



To maintain a strong, linear look, the Dishwasher Frame (GPDDWF) can also be used with internal pull-out waste bins. We recommend using 580-GY Gollinucci Bins. The bins all come with fitting instructions. These should be referred to when constructing the product prior to installation onto the Dishwasher Frame system.

Remember to pull forward adjacent cabinets by 28mm to accommodate the Dishwasher Frame thickness, and make use of Mid Rail End Caps for a high quality installation.



- 1 Screw attachment bracket onto the Dishwasher Frame using 3 x fixing points and adjust as required.
- 2 Using L-Shaped brackets, fix top frame of the Pull-Out Bin to Dishwasher Frame.

Please refer to fitting instructions provided with bin for a detailed installation guide.

112
32
191



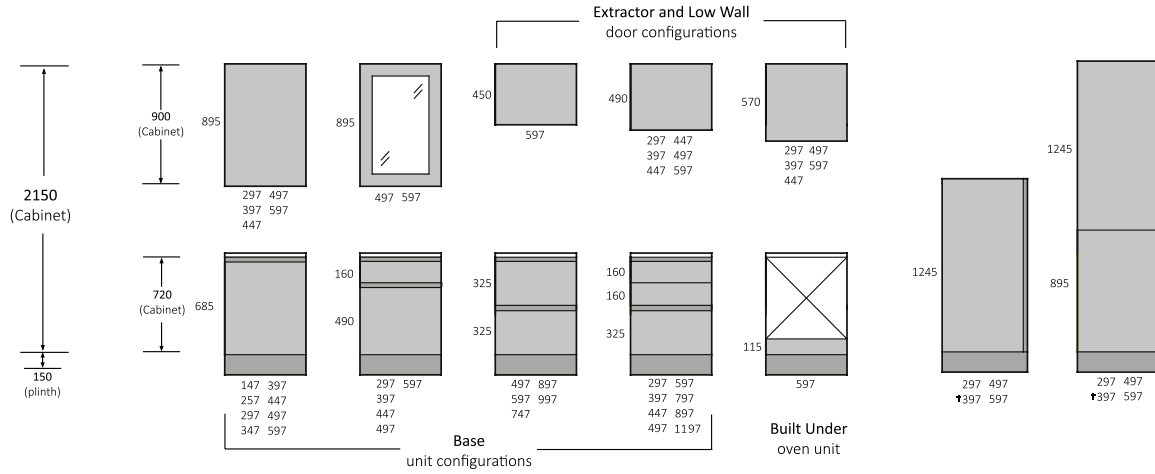


KITCHEN FASCIA MATRIX FOR HANDLELESS RAIL SIZES

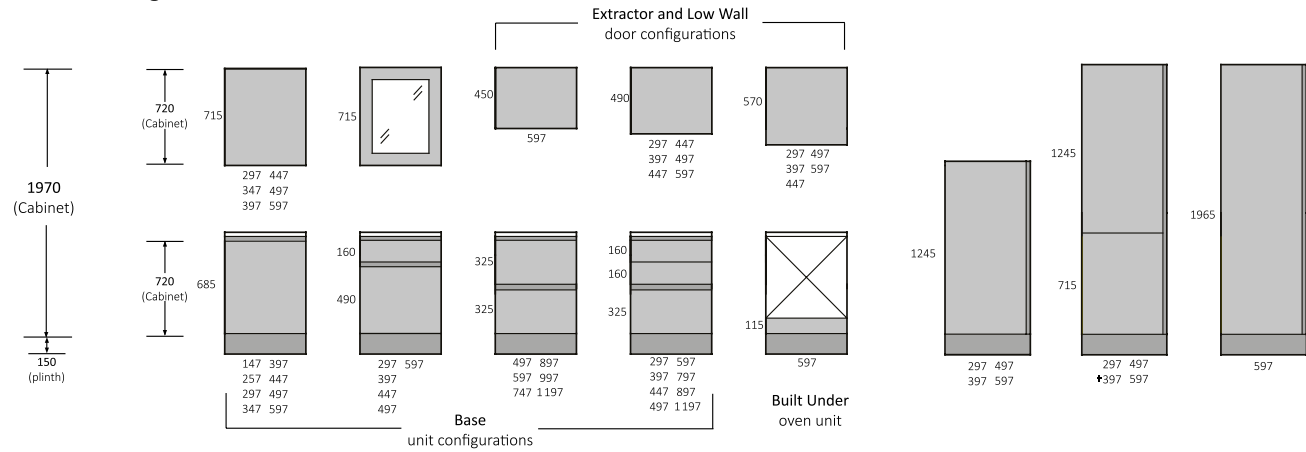
This matrix can be referred to when planning Ellerton, Porter & Porter PtO.

Availability varies between ranges. Please see relevant door range pages earlier in the Directory for full range content

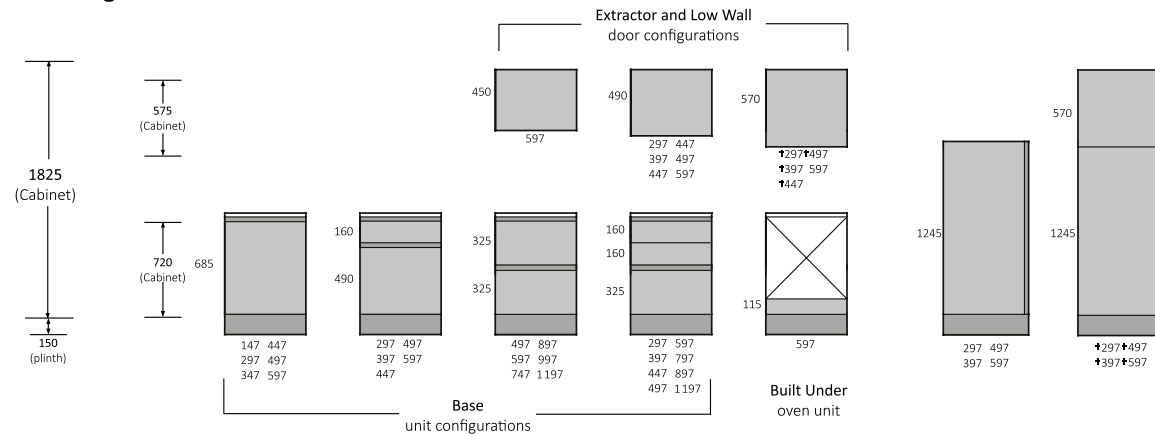
Tall Height Installation



Medium Height Installation

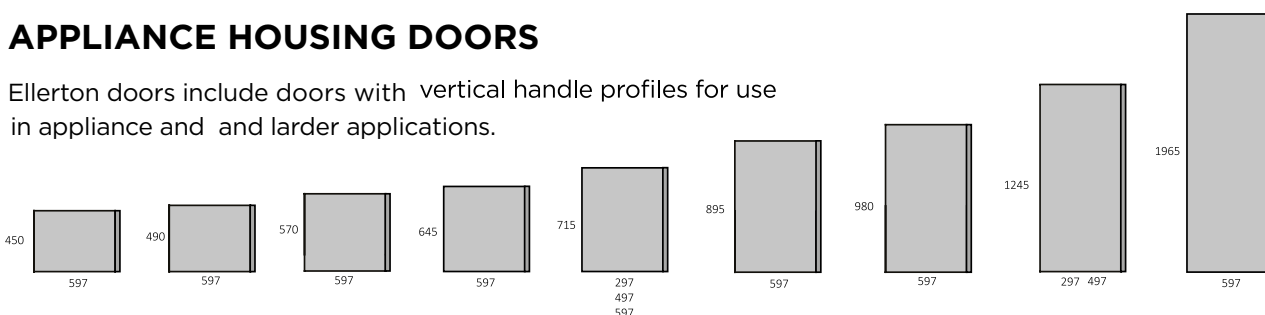


Low Height Installation



APPLIANCE HOUSING DOORS

Ellerton doors include doors with vertical handle profiles for use in appliance and larger applications.



Reclaimed Oak with Aluminium rails.



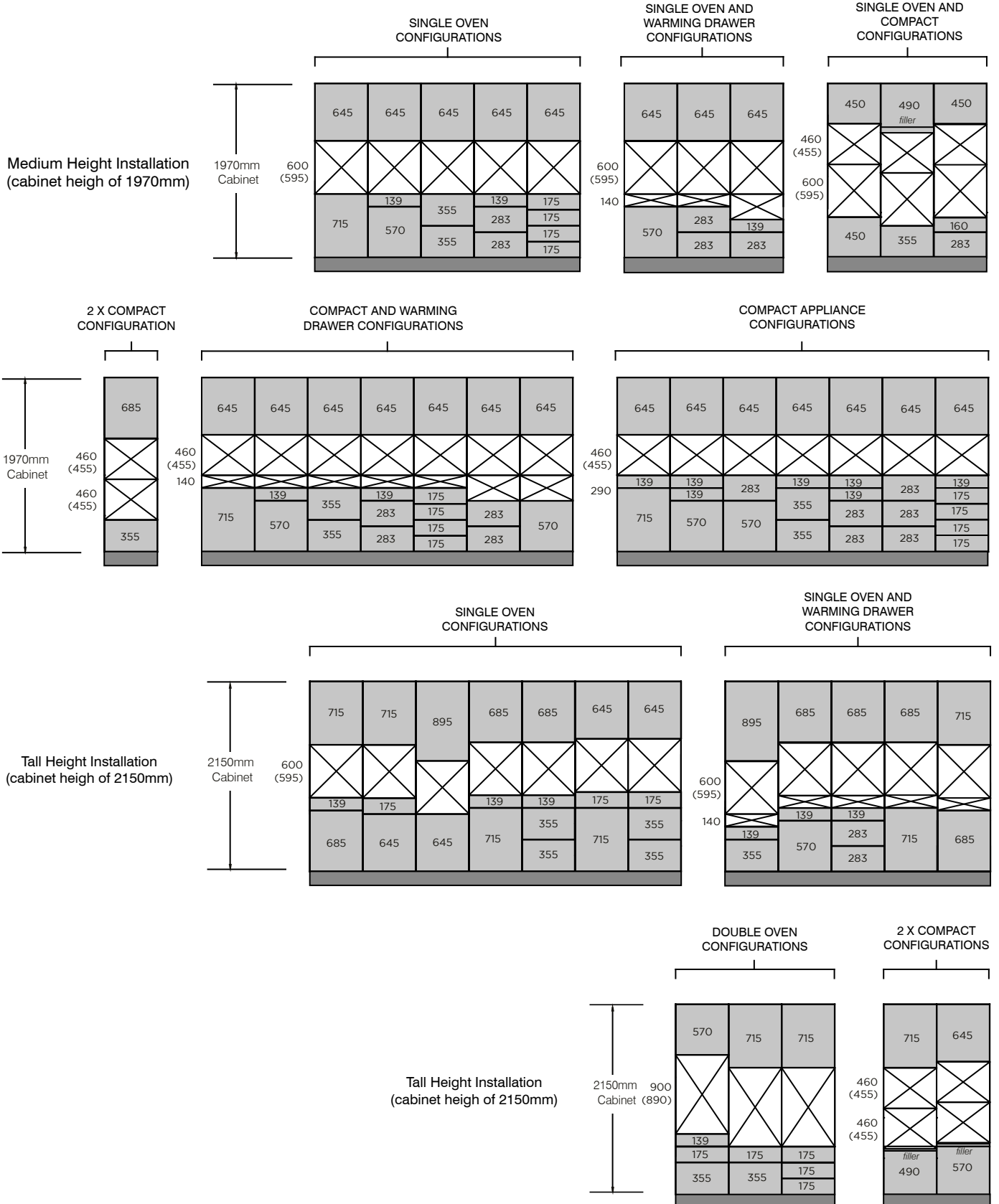
HANDLESS APPLIANCE HOUSING MATRIX

PORTER & HUNTON

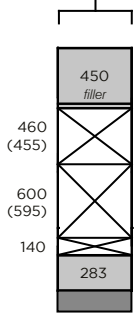
Please use this document as a one page guide to understand the product availability in the Porter and Hunton ranges, when planning built in appliance housings in a handleless design.

The majority of these appliance configurations eradicate the need for fillers and are based on the industry standard; aligning with the majority of appliance brands. The sizes in the matrix below are inclusive of sizes available in Porter and Hunton from the lay-on ranges, to offer a wider breadth of options. Please Note - Tomba and Ellerton ranges include vertical handle profiles and range content differs from the below. Please refer to the the Price List for full range availability.

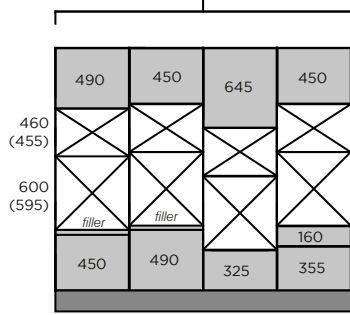
Aperture sizes are shown adjacent to the appliance type, with the actual appliance size shown beneath, in *italics*.



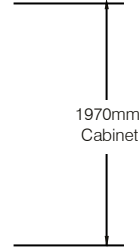
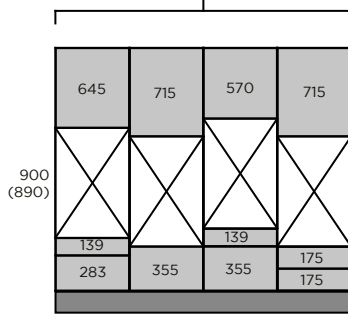
SINGLE OVEN, COMPACT AND WARMING DRAWER CONFIGURATIONS



SINGLE OVEN AND MICROWAVE CONFIGURATIONS

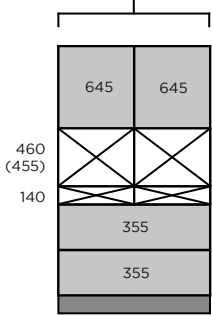


DOUBLE OVEN CONFIGURATIONS

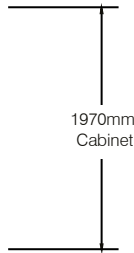
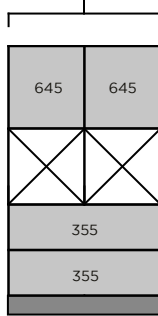


Medium Height Installation
(cabinet height of 1970mm)

COMPACT AND WARMING DRAWER CONFIGURATION

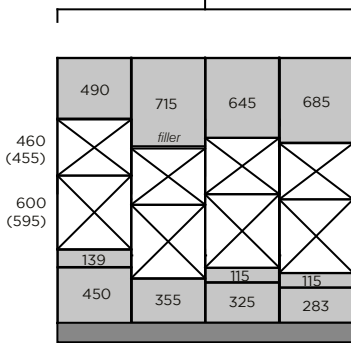


SINGLE OVEN CONFIGURATION

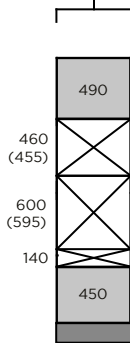


Medium Height Installation
(cabinet height of 1970mm)

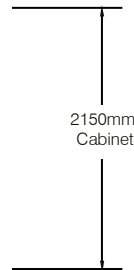
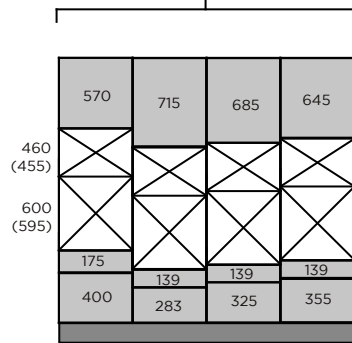
SINGLE OVEN AND COMPACT CONFIGURATIONS



SINGLE OVEN, COMPACT AND WARMING DRAWER CONFIGURATIONS

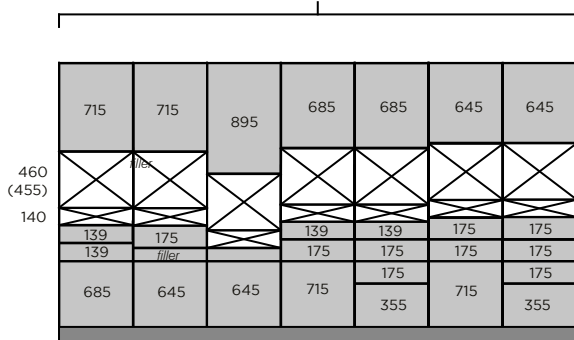


SINGLE OVEN AND MICROWAVE CONFIGURATIONS

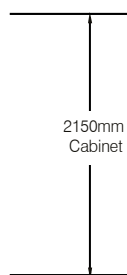
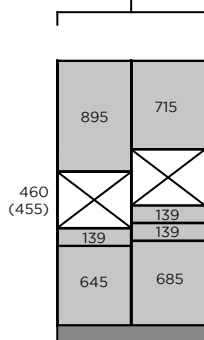


Tall Height Installation
(cabinet height of 2150mm)

COMPACT AND WARMING DRAWER CONFIGURATION



COMPACT AND APPLIANCE CONFIGURATIONS



Tall Height Installation
(cabinet height of 2150mm)





PWS